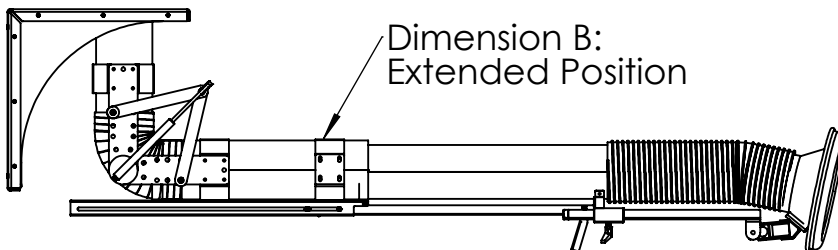
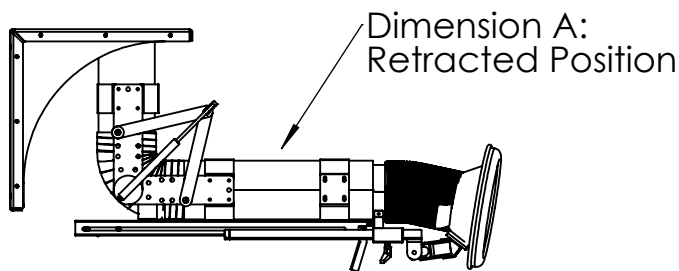
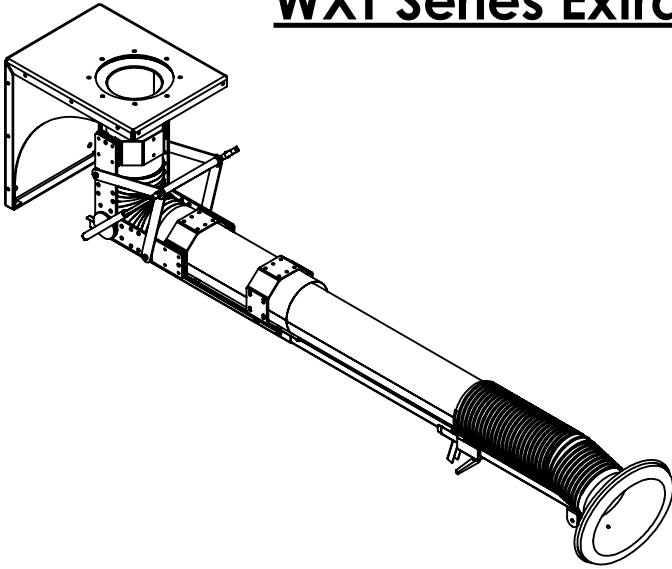


WXT Series Extraction Arm



WXT Highlights

- **Omni-Directional Positioning Receptor**
- **Easy One Hand Operation to Extend and Retract Arm**
- **No Internal Components, Designed for Maximum Performance**
- **Factory Set & Fully Assembled Unit Upon Delivery**

Quantity	Model	Platform		Dimensions		Comments
		Wall	Ceiling	A	B	
6"	WXT-035			36"	60"	
	WXT-046			48"	72"	
	WXT-047			48"	84"	

Series WXT telescoping fume extraction positioning arm is constructed of aircraft grade aluminum duct & pivot joints. The arm rotates on a bearing assembly comprised of a non-metallic, lubricative synthetic material. Arms are designed for ceiling or wall mounting to provide source capture for fume removal applications. The WXT series is available in 6" diameter and can be provided in telescoping lengths of 3' to 5' extension, 3' to 6' extension or 4' to 7' extension.