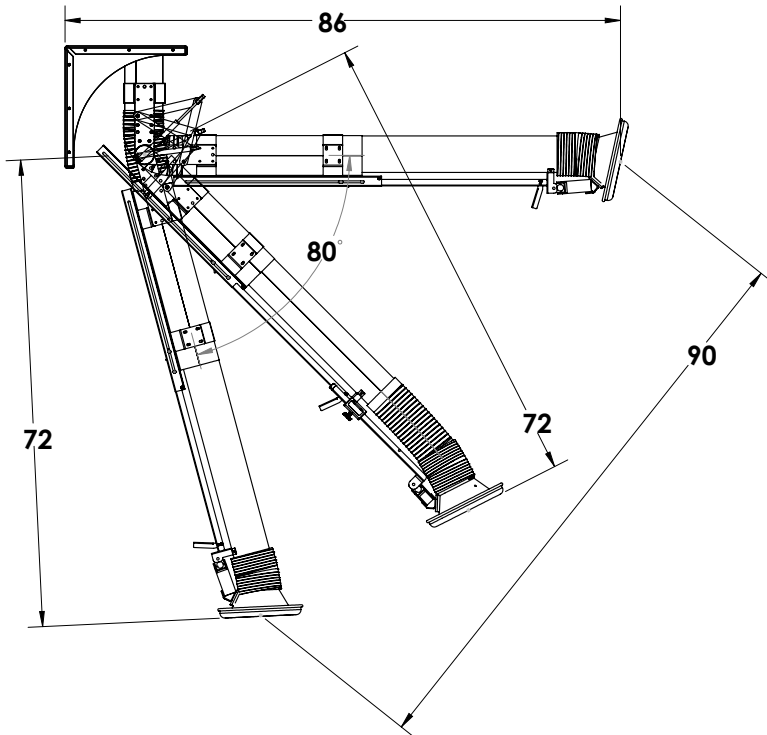
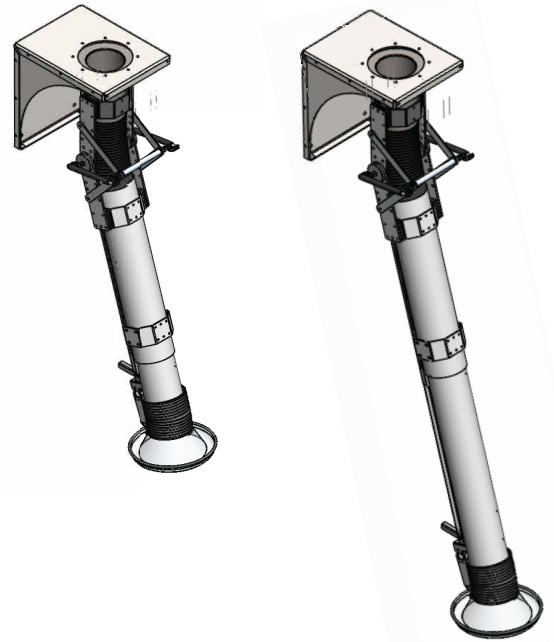
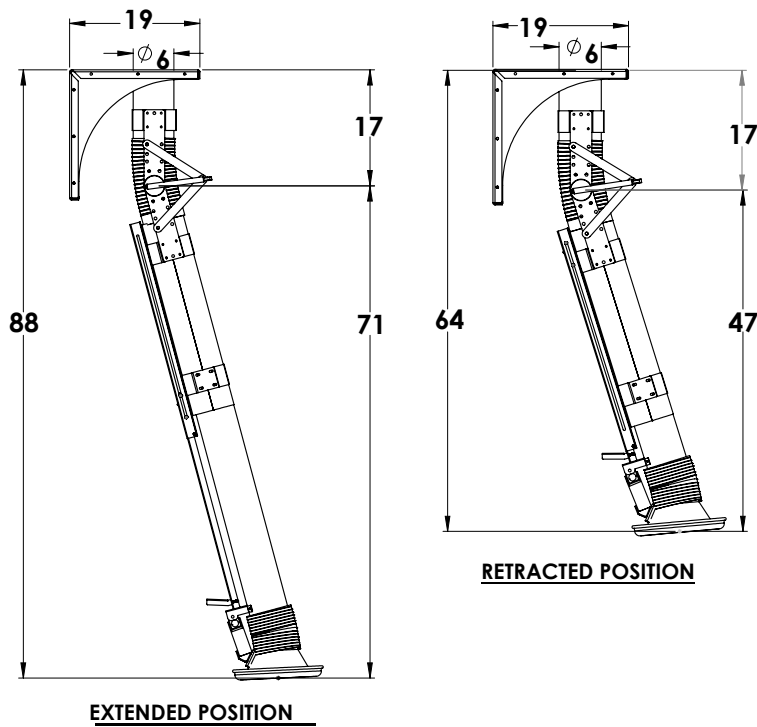


WXT Series Extraction Arm



DIMENSIONS ARE IN INCHES

WXT Highlights

- **Omni-Directional Positioning Receptor**
- **Easy One Hand Operation to Extend and Retract Arm**
- **No Internal Components, Designed for Maximum Performance**
- **Factory Set & Fully Assembled Unit Upon Delivery**

Quantity	Model	Platform		Comments
		Wall	Ceiling	
6" DIA.	WXT-046			

Series WXT telescoping fume extraction positioning arm is constructed of aircraft grade aluminum duct & pivot joints. The arm rotates on a bearing assembly comprised of a non-metallic, lubricistic synthetic material. Arms are designed for ceiling or wall mounting to provide source capture for fume removal applications.