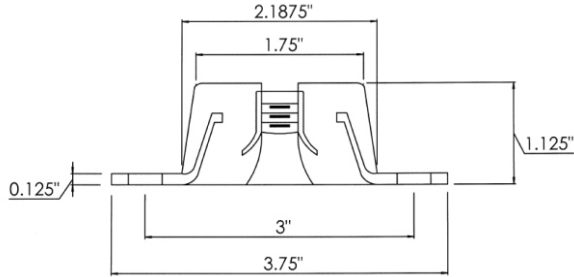


CAR-MON EXHAUST FAN PLATFORMS SERIES CMB, CMD & BXi

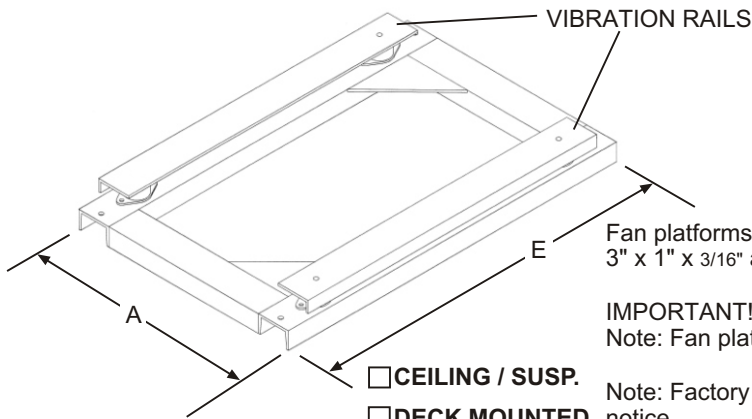


NOTE: OTHER TYPES OF VIBRATION MEDIUM AVAILABLE UPON REQUEST

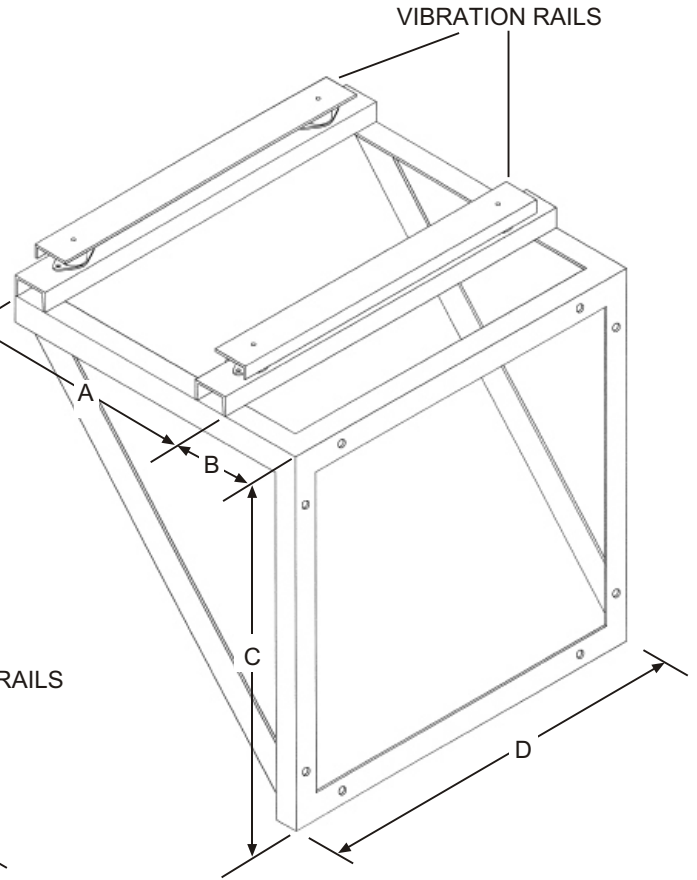
ISOLATOR ELEVATION DETAIL

PLATFORMS FOR WALL MOUNT APPLICATIONS WITH FAN SHAFT PARALLEL TO MOUNTING SURFACE
Platforms for mounting fans with fan shaft perpendicular to mounting surface also available. Consult factory for dimensions.

PLATFORM FOR CEILING SUSPENSION APPLICATIONS OR DECK MOUNTING



- CEILING / SUSP.
- DECK MOUNTED



Fan platforms feature welded steel construction using vibration rails of 3" x 1" x 3/16" angle iron and 3" channel. See sheet 13-F7 for details.

IMPORTANT! Hanger rods by others for ceiling suspension fan platform. Note: Fan platforms available for Series SL fans, consult factory.

Note: Factory reserves the right to change dimensional data without notice.

CMB & F SERIES FANS										CMD SERIES FANS									
QTY.	MODEL NO.	WALL	CEIL./DECK	A	B	C	D	E	WT.	QTY.	MODEL NO.	WALL	CEIL./DECK	A	B	C	D	E	WT.
	8			15	7	22	26 ¹ / ₄	27 ¹ / ₂	55		5			13 ¹ / ₁₆	6	18	18 ¹ / ₂	21	40
	10			15	7	22	26 ¹ / ₄	27 ¹ / ₂	55		7			14 ⁵ / ₈	7 ³ / ₈	22	23 ¹ / ₄	23	50
	14			21	7	28	33 ¹ / ₂	32 ³ / ₈	80		9			14 ⁵ / ₈	7 ³ / ₈	22	23 ¹ / ₄	23	50
	20			21	7	28	34 ³ / ₄	33 ³ / ₈	80		11			16	6	22	23 ¹ / ₄	23	50
	25			21	8	29	36 ¹ / ₄	34 ⁵ / ₈	85		13			18	4	22	23 ¹ / ₄	26	50
	30			25 ¹ / ₄	9	34	41 ³ / ₄	40 ¹ / ₄	90		BXi SERIES FANS								
	32			25 ¹ / ₄	10	35	43 ¹ / ₁₆	41 ¹ / ₂	95		12A0			21	7	28	33 ¹ / ₂	29	80
	35			31 ¹ / ₄	10	41	50 ¹ / ₂	49 ¹ / ₈	110		15A0			21	7	28	33 ¹ / ₂	31	85