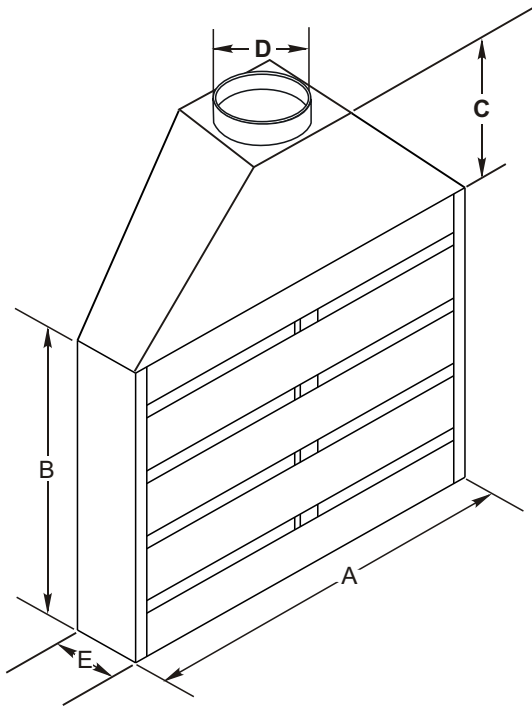


SERIES FH FUME HOODS



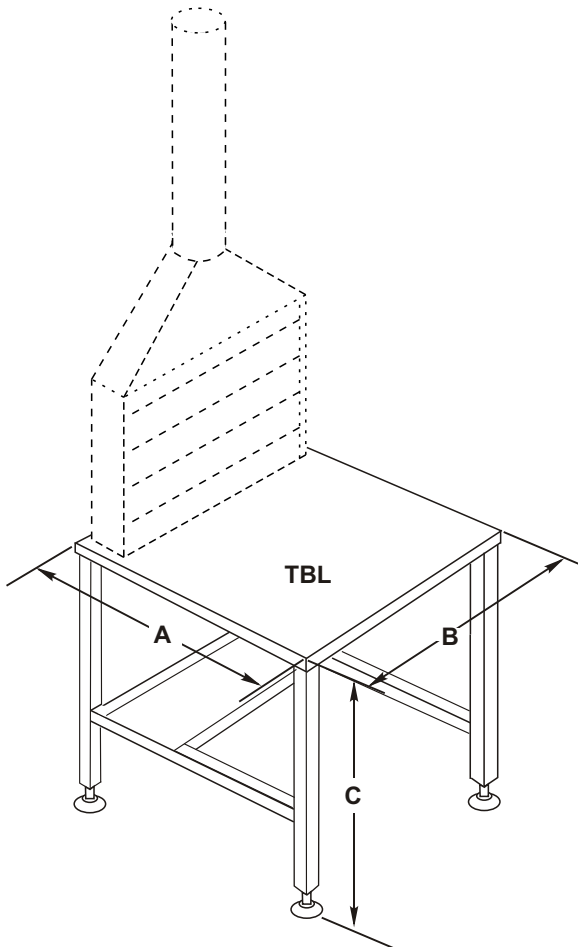
Series FH fume hoods are in a vertical configuration with discharge diameter and slot spacing sized to meet the capacities as called for in the plans and specifications. The hood is fabricated of minimum 20 gauge galvanized steel. The baffles between slots are cross broken for greater strength and are installed using fasteners suitable to facilitate removal for cleaning and repositioning to enhance intake velocity, if necessary. The hood is completely factory assembled with crimped and beaded discharge collar for secure and air tight duct connection. Standard lengths are designed to fit 36", 48", 60", and 72" welding booths.

Other configurations including side baffles, integral mounting arrangements, and overhead canopy type hoods are available. Other finishes and materials including stainless steel are also available. Consult factory for design information.

Note: Factory reserves the right to change dimensional data without notice.

| QTY. | MODEL | STD. C.F.M. | REQ'D C.F.M. | A | B | C | D | E |
|------|-------|-------------|--------------|----|----|-----|----|---|
| | FH-34 | 800 | | 34 | 29 | 15½ | 7 | 6 |
| | FH-46 | 1000 | | 46 | 33 | 21 | 8 | 6 |
| | FH-58 | 1200 | | 58 | 36 | 21 | 8 | 6 |
| | FH-70 | 1600 | | 70 | 36 | 21 | 10 | 8 |
| | | | | | | | | |
| | | | | | | | | |

SERIES TBL WELDING TABLE



Series TBL welding tables are 32" high, and include top plate, tubular steel frame with shelf, and leveling feet with $\pm 3"$ height adjustment. Custom tables and machine stands available, consult factory for design information.

| QUANTITY | MODEL | A | B | C | TOP PLATE THICKNESS | LEG SIZE |
|----------|--------|----|----|-----|---------------------|----------|
| | TBL-23 | 2' | 3' | 32" | ½" | 2" x 3" |
| | TBL-33 | 3' | 3' | 32" | ½" | 2" x 3" |
| | TBL-34 | 3' | 4' | 32" | ½" | 2" x 3" |
| | TBL-35 | 3' | 5' | 32" | ¾" | 3" x 3" |
| | TBL-44 | 4' | 4' | 32" | ¾" | 3" x 3" |
| | | | | | | |