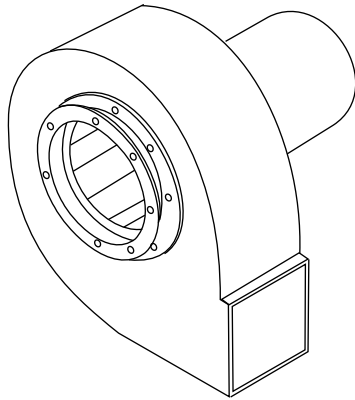
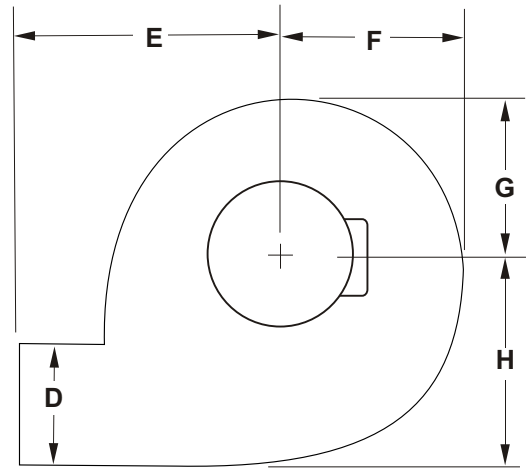
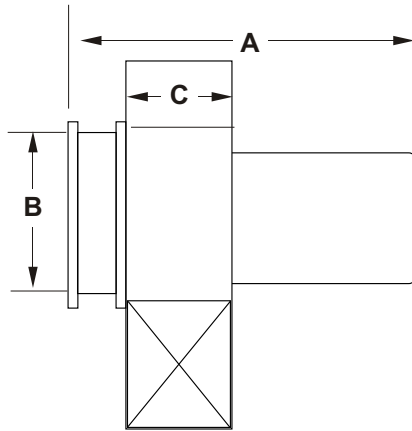


CAR-MON SERIES DXi

HIGH STATIC, FLANGE MOUNTED, DIRECT DRIVE EXHAUST FANS



Note: Fans illustrated are clockwise, bottom horizontal configuration



WHEEL DIA.	WIDTH	A	B	C	D	E	F	G	H
8.75	3.1875	19.18	6	4.68	4.68	7.5	7	6.37	7.5
12.125	5.25	20.50	8	6.25	6.25	12	9.5	8.75	10.375

OPTIONAL EQUIPMENT:

- WALL PLATFORM
 CEILING PLATFORM
 INLET SCREEN
 DISCHARGE SCREEN
 DISCHARGE FLANGE
 SOUND ATTENUATOR
 OTHER _____

Representative _____ Job Name _____

QTY.	MODEL	HP	WHEEL DIA.	WHEEL WIDTH	ROT.	DISCH.	CFM	S.P.	ELECTRICAL		
									VOLTAGE	PH	Hz
	DXi-10A0	3/4	8.75	3.1875							
	DXi-12A0	3	12.125	5.25							

The **Series DXi** fans are high performance air movers that provide a convenient and efficient method of mounting.

SPECIFICATION: The fan shall be the standard product of a United States exhaust system manufacturer. Fan wheel shall be radial blade type with single thickness blades and be statically and dynamically balanced. The fan housing shall be fabricated of 10 gauge steel and be of all welded construction. The inlet shall be assembled to the fan housing using hex head grip type flange nuts bolted to threaded studs welded to the housing. A rolled angle mounting flange shall be welded to the inlet ring. All surfaces of the fan shall be painted with a polyester powder coating. The fan motor shall be an industrial grade C-face type, bolted directly to the housing, with horsepower and electrical characteristics as specified. The fan shall be **Series DXi** as manufactured by Car-Mon Products, Elgin, IL 60123