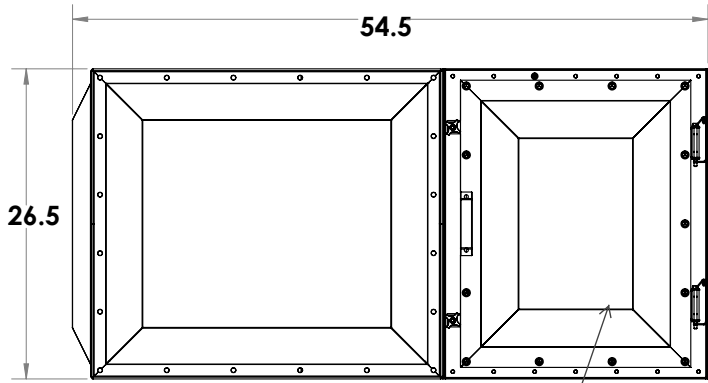
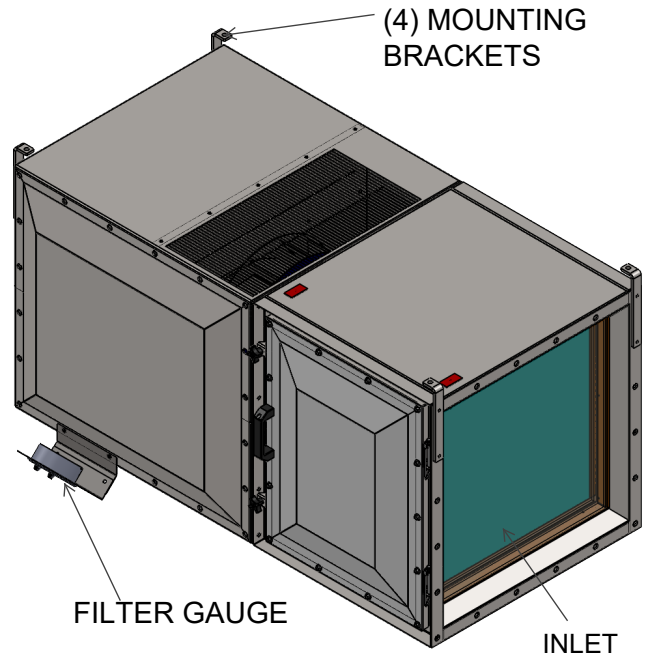


CMX-124-S FILTER UNIT



FRONT VIEW

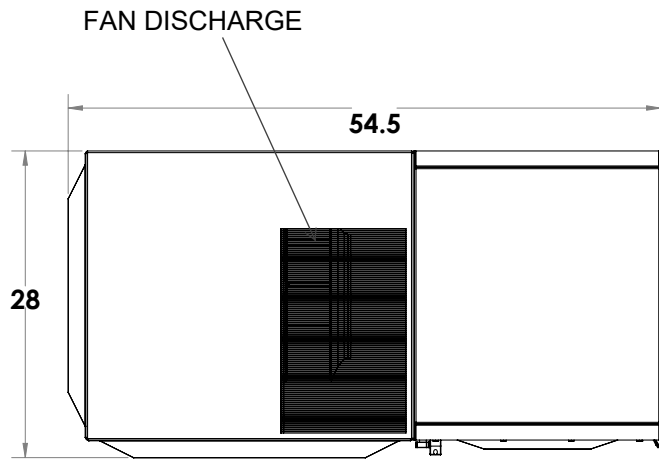
FILTER ACCESS
DOOR



(4) MOUNTING
BRACKETS

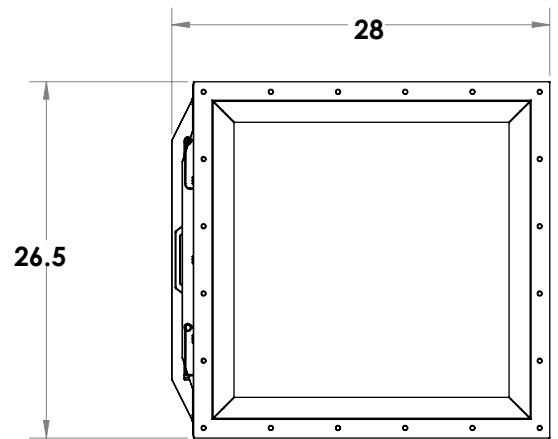
FILTER GAUGE

INLET



FAN DISCHARGE

TOP VIEW



SIDE VIEW

QTY.	MODEL	HP	CFM	VOLT/PH/Hz			PRE-FILTER	FILTER TYPE			OPTIONS
								95% MEDIA	HEPA	CARBON	

Model CMX filter unit is designed to clean contaminated air and fine nuisance dust. It shall be provided as a self-contained package with a filter and exhaust fan in an integral cabinet with hanging support lugs. The contaminated air will travel through the inlet side of the cabinet and into a two stage filtering process. The first stage pre-filter shall be MERV 8 high capacity with a final stage 95% final filter. For filter access, cabinet shall have a removable hinged door with turn knobs for a no tool quick filter change-out.

The exhaust fan will be a backwardly inclined non-overloading fan with a 1.5HP TEFC motor to deliver 2,000 CFM. Fan compartment shall be lined with sound dampening material for noise abatement.

The filter box is constructed of high strength steel with a polyurethane powder coat finish. Unit shall ship assembled with easy on-site installation. Other sizes and custom configurations available, please consult factory.

Series CMX is manufactured by Car-Mon Products, Inc. of Elgin, Illinois.

1225 Davis Road | Elgin, IL 60123 | P: 847-695-9000 | F: 847-695-9078 | E: info@car-mon.com

Please visit www.car-mon.com to take advantage of our free design service or to find a representative in your area.