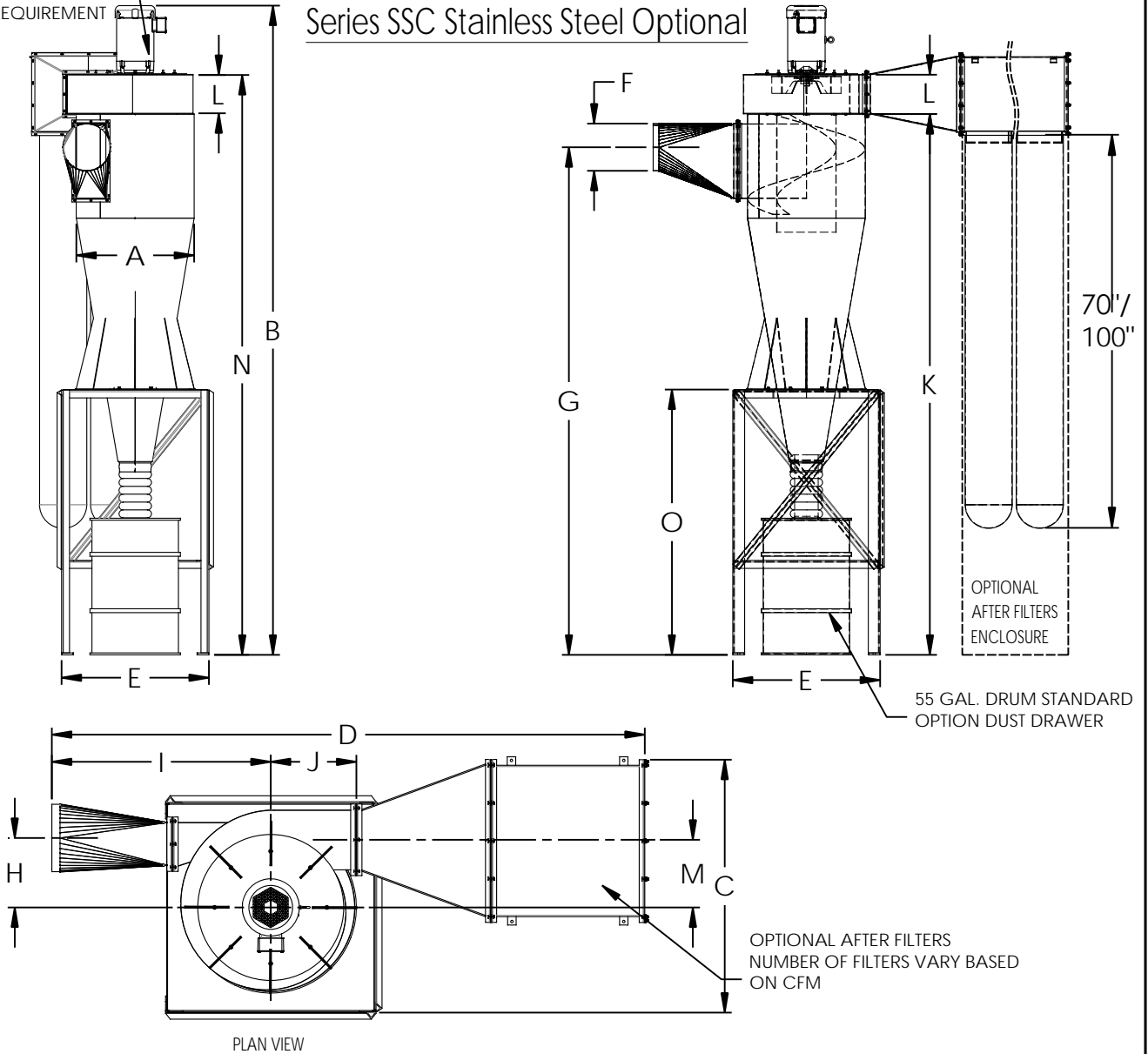


FAN AND MOTOR
HP VARIES BY CFM
REQUIREMENT

Series CMC Steel Dust Collector Series SSC Stainless Steel Optional



NOTE: ALL DIMENSIONS ARE IN INCHES

SERIES	HP	A	B	C	D	E	F	G	H	I	J	K	L	M	N	O
160	3	16	109	39	60	30	6	87.5	5	22	13	90	6.5	9	96.5	50
207	7.5	20	137	39	88	30	8	109.5	6	30	11	113.5	7	9.5	120.5	68
2410	10	24	148	39	95	30	10	111	7	31	13	120	9	11	129	68
3015	15	30	170.5	42	132	36.5	12	129.5	9	39	15	138	10	13	148	68
3625	25	36	192	42	172	36.5	16	139	10	43	24	160	13	16.5	173	68

SPECIFICATION

Collector will be of the high velocity cyclone type and fabricated of heavy gauge steel and complete with direct connected totally enclosed motor and 55 gallon drum collector. The fan wheel shall be radial type with flat blades constructed of 10 ga. steel, mounted directly on the fan motor shaft and shall be essentially self cleaning. Cyclone body shall be welded and adequately stiffened internally to properly support the cyclone. Stand shall be constructed to adequately support the cyclone and contain the 55 gallon drum for the dust collection. Optional after filter shall consist of steel plenum module with assembly that includes steel transition between fan discharge and plenum holding the filter bags. The filter bags are of flame retardant cotton sateen fabric, tubular design with zippered bottoms. An optional steel constructed after filter enclosure is available.