

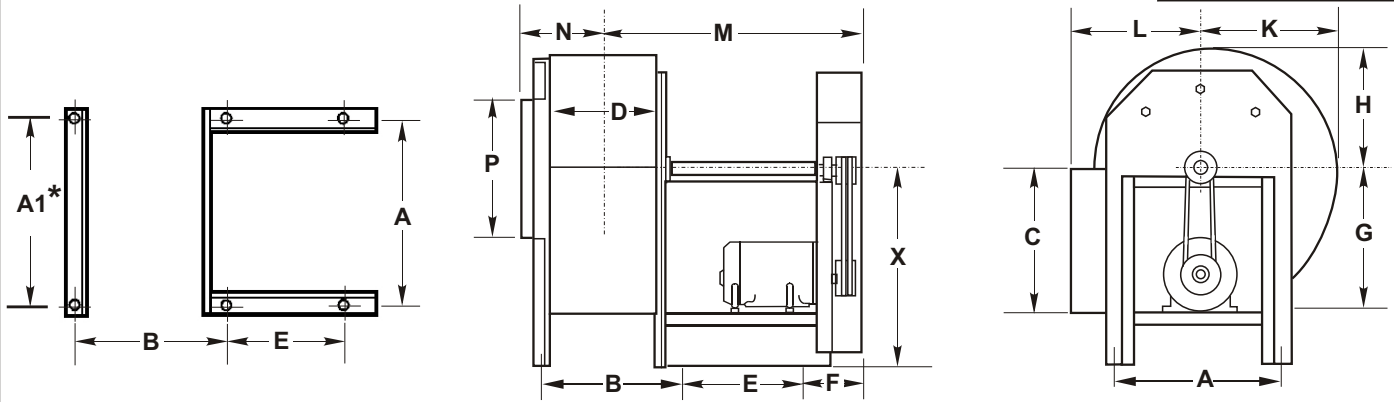
CAR-MON BELT DRIVE FANS

All fans on this sheet are rated in accordance with AMCA Standard 210 and bear the AMCA seal. For performance data, refer to fan catalog F1-13

Standard equipment includes: Belt guards, turned ground and polished fan shafts, variable pitch V-belt motor drives, two groove pulleys with matched belts standard for fan size 122 and larger, adjustable motor bases, and high efficiency, non-overloading, backward inclined wheels of heavy duty construction. All parts in the air stream are coated with a polyester powder coating. Fan housings are fabricated of heavy gauge steel and are continuously welded. All fans are run tested at the factory and checked for compliance with our rigid balance standards. Clockwise rotation wheels and bottom horizontal discharge are standard. Either rotation and any one of 8 different discharge positions may be specified at time of order.



Car-Mon Products, Inc. certifies that the centrifugal fans shown herein are licensed to bear the AMCA seal. The ratings shown are based on tests made in accordance with AMCA Standard 210 and comply with the requirements of the AMCA Certified Ratings Program.



* Dimension A1 for size 40 and 50 size fans is 29 7/8".

NOTE: For fans with motors larger than standard, consult factory for dimensions.

Model CMB	Wheel Dia.	Wt.	Dimensions (Additional dimensional data on back of sheet)														
			A	B	C	D	E	F	G	H	K	L	M	N	P	X	
8	10 5/8	120	12		11 3/4	9	10 3/4	2 1/2	10 5/8	8	9 3/4	8 1/2	18 7/8	5 7/8	9	14	
10	10 5/8	130	12		11 3/4	9	10 3/4	2 1/2	10 5/8	8	9 3/4	8 1/2	18 7/8	5 7/8	9	14	
14	12 1/4	200	18	12 3/8	13	9 7/8	11	6 1/4	13	10 1/2	12 1/8	11 1/2	24	7	12 3/4	18	
20	13 1/2	215	18	13 3/8	14 3/8	10 7/8	11	6 1/4	14 1/4	11 1/2	13 3/8	11 5/8	24 1/2	7 1/2	14 1/8	18	
25	15	235	18	14 5/8	15 7/8	12	11	6 1/4	15 7/8	12 7/8	14 7/8	12 3/4	25	8 1/8	15 3/4	18	
30	18 1/4	365	22 1/4	17 1/4	19 3/8	14 5/8	14	6 1/4	19 1/4	15 1/2	18	15 1/8	29 3/8	9 1/2	18 1/2	23	
32	20	450	22 1/4	19 1/8	21 1/8	16	14	6 1/4	21 1/8	17	19 3/4	16 5/8	30	11 1/4	21	23	
35	22 1/4	500	28 1/4	21 7/8	23 1/2	17 3/4	18	7 1/4	23 1/2	19	22	18 1/2	36 7/8	12 1/8	24	31	
40	27	775	33 7/8	25 3/8	28 5/8	21 1/2	18 1/2	7 1/4	28 1/2	22 7/8	26 5/8	22	38 3/4	14	29	33 5/8	
50	30	985	33 7/8	27 5/8	31 3/4	23 7/8	18 1/2	7 1/4	31 5/8	25 1/2	29 5/8	24 1/8	40	14 1/4	32 3/8	33 5/8	

CHECK OPTIONAL EQUIPMENT REQUIRED

Note: Dimensional data subject to change without notice.

- Vibration Pads Weather Cover Aluminum Wheel Platform: Suspension or Deck Mount Wall
- Vibration Rails Back Draft Damper Expl'n Resistant Motor Inlet & Discharge Conn.— See Drwg. 11-F10
- Other _____

Customer _____ Job Name _____

Quantity	Tag Number(s)	Model Number	JOB REQUIREMENTS			Rotation	Discharge	ELECTRICAL			
			CFM	SP	HP			Voltage	Phase	Hz	

CAR-MON PRODUCTS, INC.

1225 Davis Road, Elgin, IL 60123 847/695-9000
www.car-mon.com e-mail: info@car-mon.com

11-F3