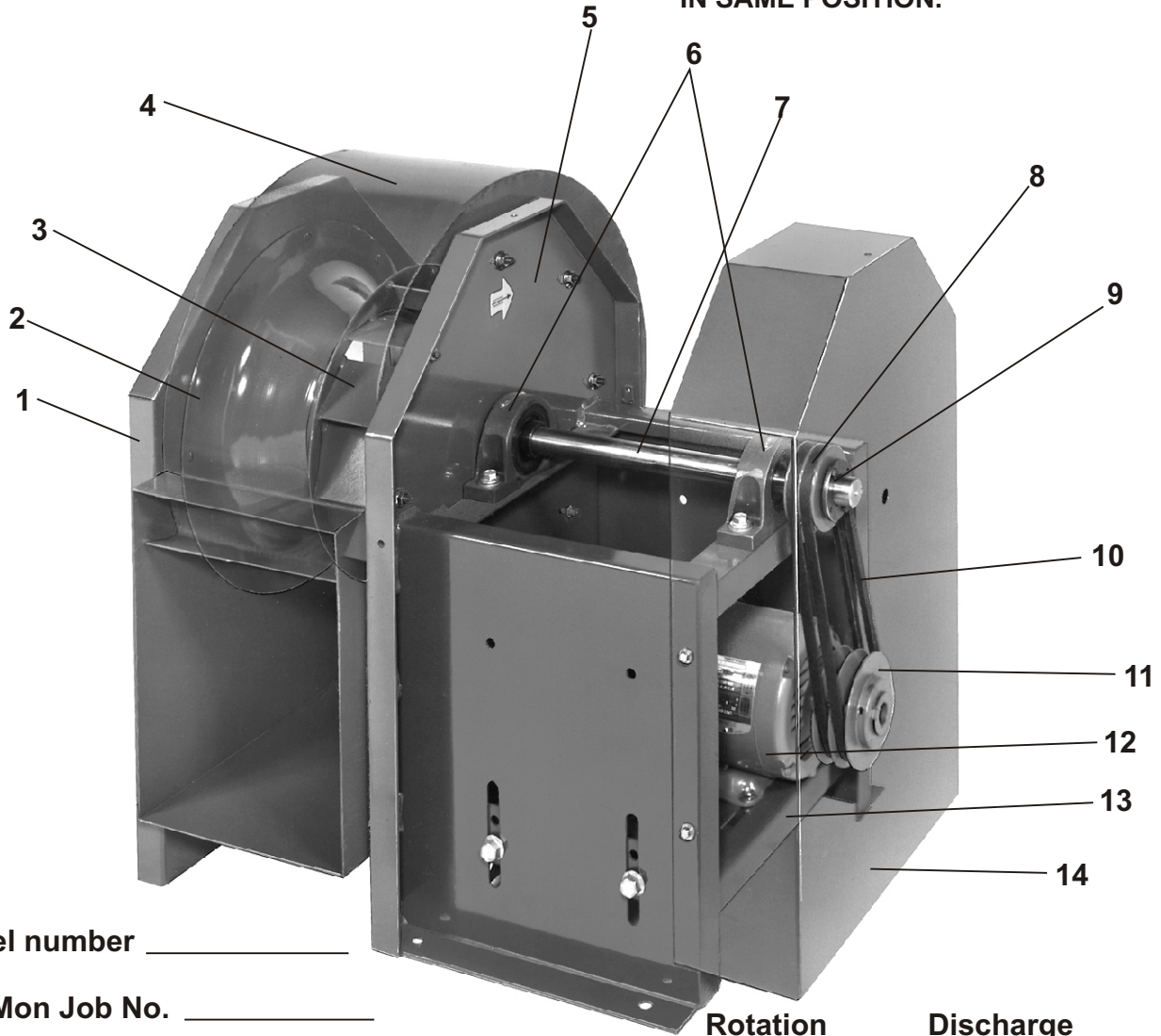


CAR-MON

Innovators in Air Pollution Systems
 1225 Davis Road. Elgin, IL 60123
 Phone (847) 695-9000
 Fax (847) 695-9078

CMB Series Fans Parts Guide

**NOTE: PHOTO IS OF CMB SERIES FAN.
 THE BXi HOUSING WILL DIFFER
 SLIGHTLY. PARTS WILL STILL BE
 IN SAME POSITION.**



Model number _____

Car-Mon Job No. _____

Tag # _____

Fan performance set at _____

Rotation _____ Discharge _____

- 1. Inlet support
- 2. Inlet spinning
- 3. Wheel
- 4. Housing
- 5. Fan Frame
- 6. Shaft bearings (See below)
- 7. Shaft
- 8. Shaft sheave* _____

- 9. Split tapered bushing
- 10. Pulley belts* _____
- 11. Motor sheave* _____
- 12. Motor* _____
- 13. Motor base
- 14. Belt Guard

Weather cover not shown

*Indicates recommended spare parts

BEARINGS FOR CMB SERIES FANS
 All fans use a pillow block "lock collar bearing"
 For CMB 8 & 10 size use SY 3/4" WFAH
 For CMB 14,20, 25, 30, & 32 use SY 1-3/16" WFAH
 For CMB 35-40 use SY 1-7/16" WFAH
 For fans not listed, consult factory