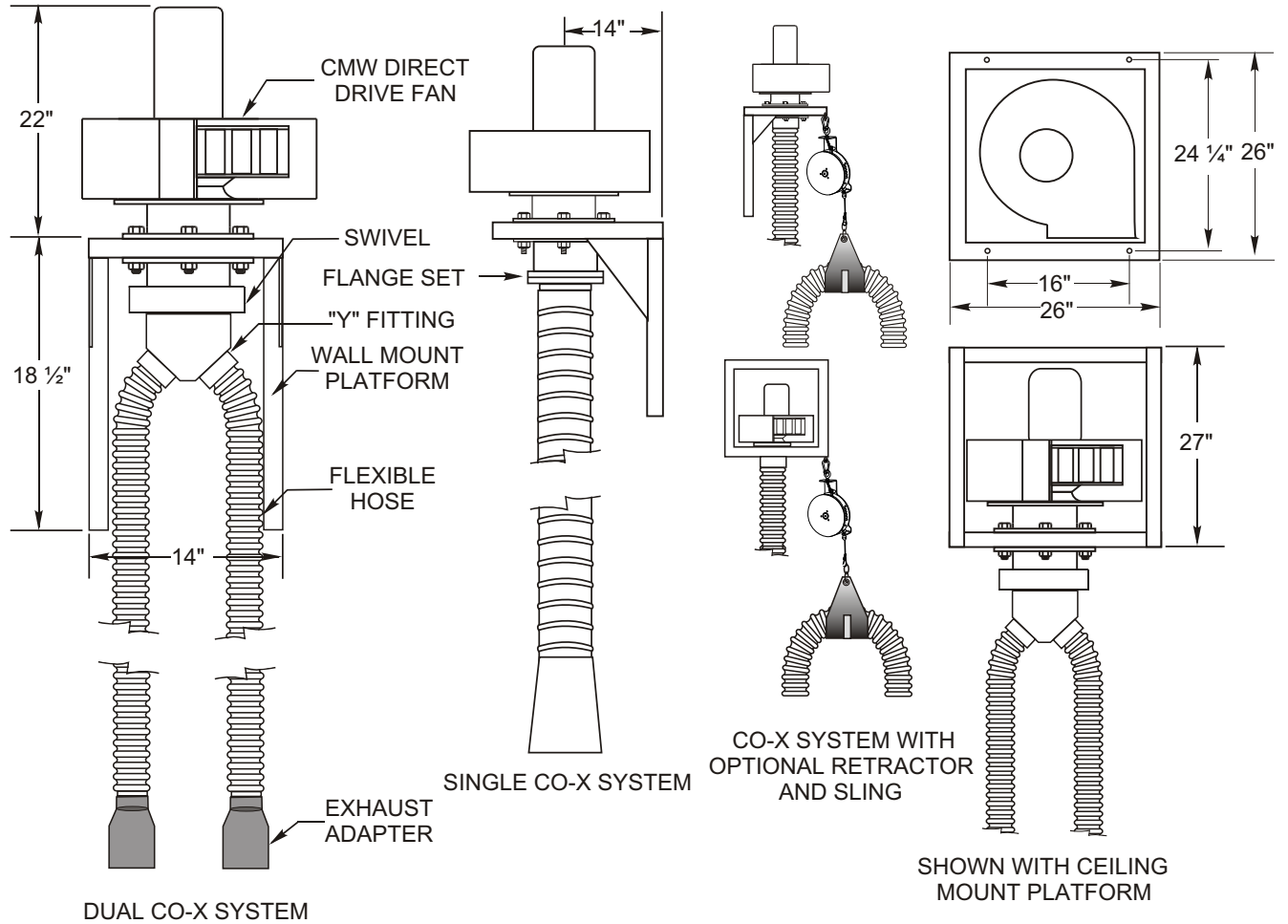


# CAR-MON SERIES CO-X EXHAUST PACKAGE



Note: Fans illustrated are shown in clockwise rotation

Note: Dimensional data subject to change

QTY.	SYSTEM		HOSE			ADAPTER TYPE	PSW/ SLING	PLATFORM		FAN INFORMATION					
	SGL.	DUAL	Ø	LGTH	TYPE			WALL	CEIL.	HP	VOLTAGE	CFM	SP	CW	CCW

**Series CO-X** is a compact exhaust system for localized fume removal. It is a simple cost effective alternative to a large central system. A wide range of hose types and adapters are available to suit specific job requirements. Fan specification and information can be found on CMW fan sheet.

**SPECIFICATION**

The single fan exhaust system shall be the standard product of a United States exhaust system manufacturer and include a welded structural steel mounting platform, direct drive fan, and flexible hose assembly. Hose options shall include two 3", two 4", two 5", one 4", one 5", one 6", or one 8" in length and diameter as specified. Dual hose units shall include a swivel mounted "Y" fitting, single units include a swivel. Fan shall be a quiet, backward inclined, non-overloading type with single thickness blades, and be statically and dynamically balanced. Fan housing shall be fabricated of 12 gauge steel and be of all welded construction. The inlet cone shall be assembled to the fan housing using hex head cap screws bolted to threaded inserts welded to the interior of the housing, self tapping screws are not acceptable. All surfaces of the fan shall be painted with a polyester powder coating. Fan motor shall be industrial grade C-face type, bolted directly to the housing, with horsepower and electrical characteristics as specified. Exhaust package including fan **Series CMW** shall be **Series CO-X** as manufactured by Car-Mon Products, Inc., of Elgin, Illinois.