

CAR-MON SERIES BXi HIGH STATIC FANS

Fan to be high performance and of all welded industrial grade construction. Wheel is a high efficiency air handling type. Precision machined tapered hub and variable pitch drives rated for no less than 150% motor load are standard features. Available for static pressures through 20 + inches. All surfaces of the centrifugal fan shall be painted completely with a polyester powder coating.

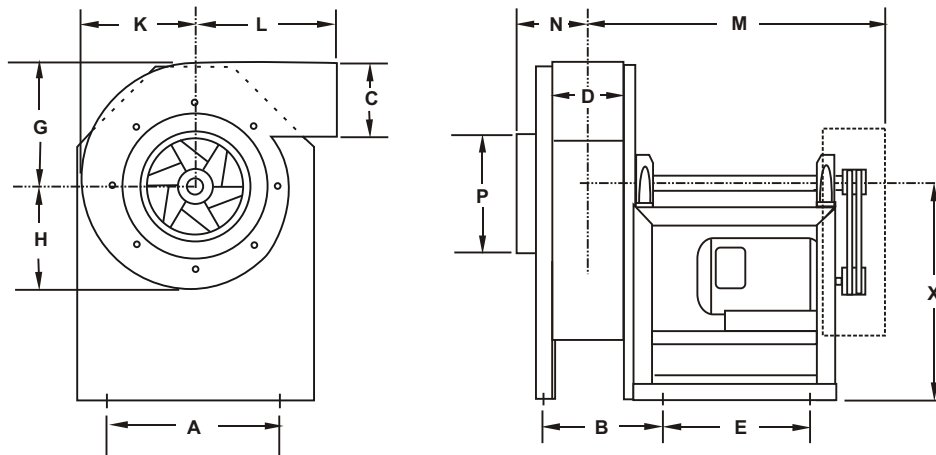
PARTIAL PERFORMANCE TABLES, PLEASE CONSULT FACTORY FOR SPECIFIC APPLICATION REQUIREMENTS

BXi-12AO

CFM	5.0" RPM	SP BHP	5.5" RPM	SP BHP	6.0" RPM	SP BHP	6.5" RPM	SP BHP	7.0" RPM	SP BHP	8.0" RPM	SP BHP	9.0" RPM	SP BHP	10.0" RPM	SP BHP
500	2524	0.59	2640	0.65	2754	0.72										
700	2645	0.84	2758	0.92	2854	1.00	2941	1.08	3037	1.15	3235	1.31	3418	1.48	3567	1.65
800	2711	0.99	2809	1.07	2913	1.16	3017	1.25	3117	1.34	3285	1.53	3446	1.70	3620	1.88
1000	2897	1.32	2989	1.43	3083	1.53	3177	1.64	3265	1.75	3417	1.97	3579	2.19	3745	2.41
1200	3093	1.74	3183	1.85	3272	1.97	3359	2.09	3444	2.22	3599	2.49	3757	2.74	3907	3.00
1500	3472	2.59	3539	2.74	3608	2.88	3678	3.02	3749	3.16						

BXi-15AO

CFM	5.0" RPM	SP BHP	5.5" RPM	SP BHP	6.0" RPM	SP BHP	6.5" RPM	SP BHP	7.0" RPM	SP BHP	8.0" RPM	SP BHP	9.0" RPM	SP BHP	10.0" RPM	SP BHP
1200	2060	1.45	2149	1.59	2231	1.72	2299	1.86	2366	1.99	2513	2.25	2660	2.53	2784	2.81
1500	2178	1.91	2257	2.07	2327	2.23	2392	2.40	2460	2.56	2602	2.90	2741	3.24	2859	3.58
2000	2403	2.90	2473	3.09	2542	3.29	2610	3.49	2676	3.71	2796	4.15	2918	4.57	3035	5.00
2500	2700	4.34	2752	4.57	2805	4.82	2859	5.10	2914	5.30	3025	5.80	3136	6.20	3246	6.70
3000	3040	6.40	3086	6.70	3134	6.90	3180	7.20	3224	7.40	3309	8.00	3399	8.50	3490	9.10
3500	3386	9.10	3434	9.40	3480	9.70										



Model	Wheel Dia.	HP*	A	B	C	D	E	G	H	K	L	M	N	P	X
BXi-12AO	12 1/8	3	18	8 1/2	6 1/4	6 1/4	11	10 3/8	8 3/4	9 1/2	12	22	5 1/2	7 1/4	18
BXi-15AO	15 1/2	5	18	10 3/4	8 1/2	8 1/2	11	13 3/8	11 1/4	12 1/4	12	23	6 1/4	9 1/4	18

*Note: Horsepowers listed are standard, however, appropriate horsepower will be used based on required performance.