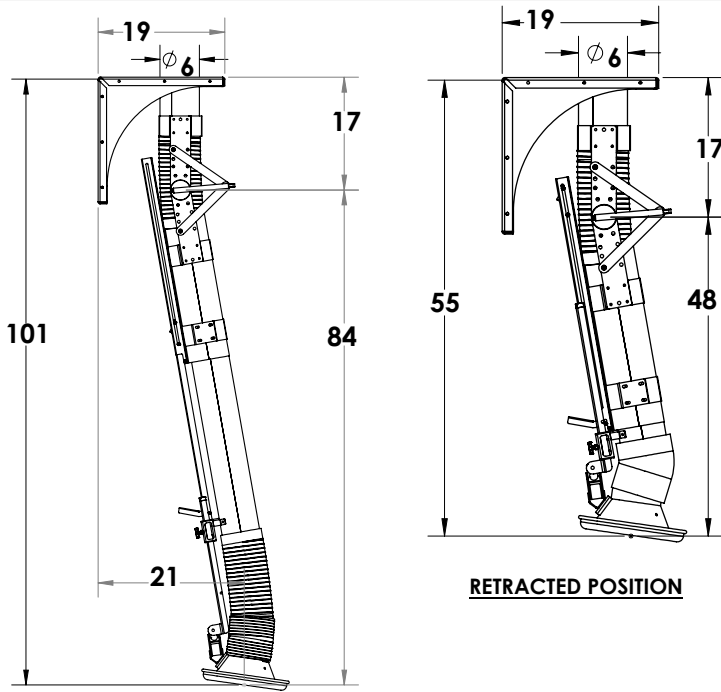
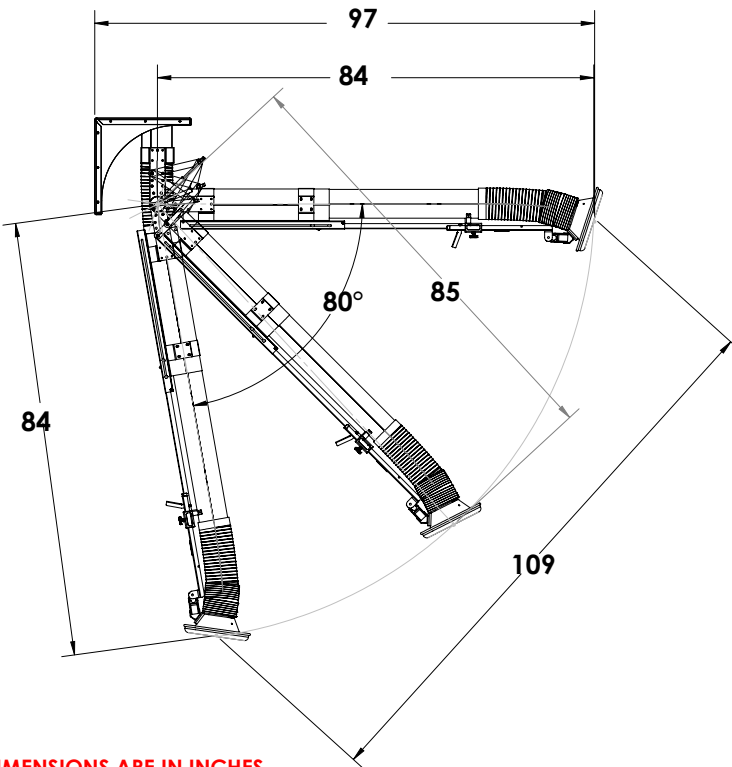


WXT Series Extraction Arm

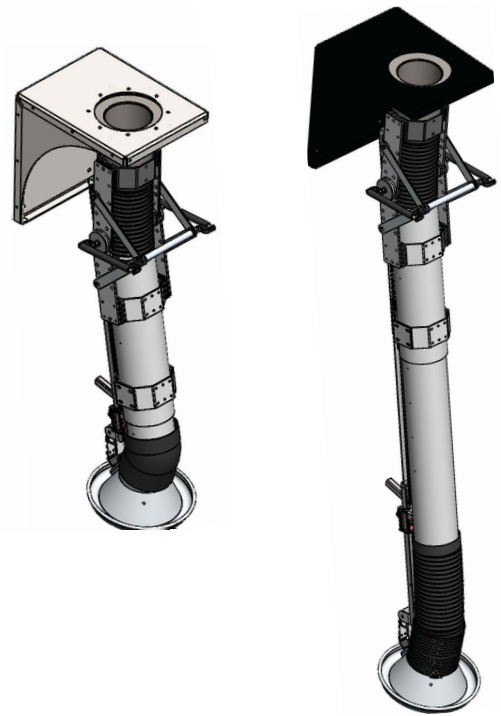


EXTENDED POSITION

RETRACTED POSITION



DIMENSIONS ARE IN INCHES



WXT Highlights

- **Omni-Directional Positioning Receptor**
- **Easy One Hand Operation to Extend and Retract Arm**
- **No Internal Components, Designed for Maximum Performance**
- **Factory Set & Fully Assembled Unit Upon Delivery**

Quantity	Model	Platform		Comments
		Wall	Ceiling	
6" Dia.				

Series WXT telescoping fume extraction positioning arm is constructed of aircraft grade aluminum duct & pivot joints. The arm rotates on a bearing assembly comprised of a non-metallic, lubricative synthetic material. Arms are designed for ceiling or wall mounting to provide source capture for fume removal applications.