

WXS Series Extraction Arm

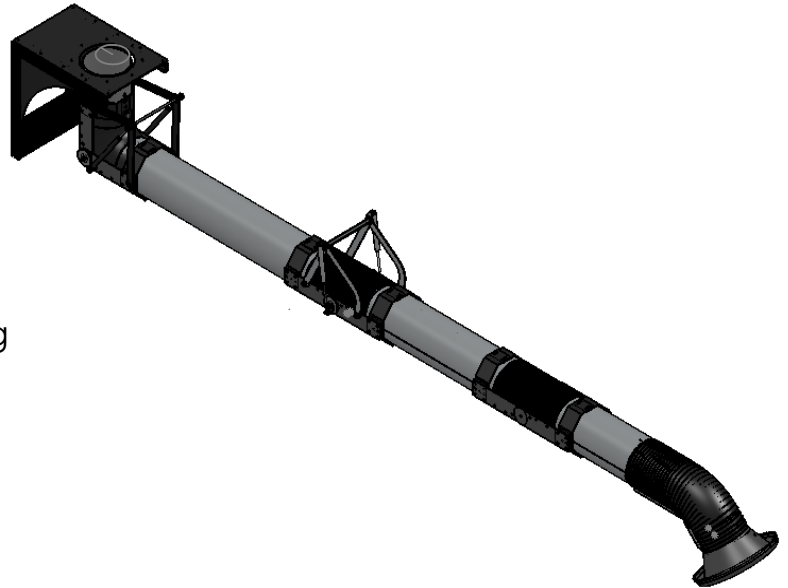
Key Features

- In Keeping With Car-Mon's Design Philosophy, All Components are Kept out of The Airstream For Smooth and Even Airflow

- Integral Bolt-up Flange Mounting With 360 deg Synthetic Lubrisc Bearing Assembly

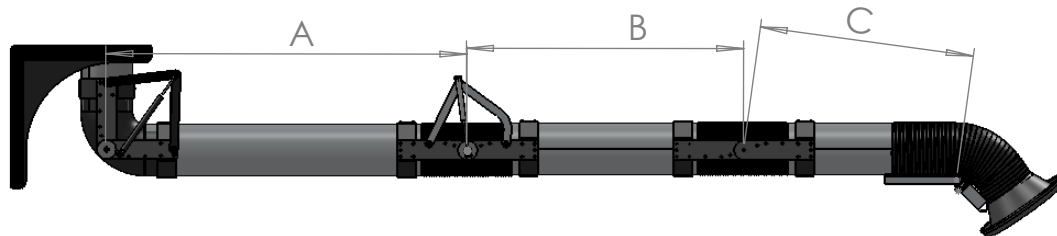
- Aluminum Construction With Tensioning Adjustments at Articulation Joints

- Omni-Directional Positioning at Receptor, Allowing For Better Coverage Around the Work Envelope



Optional Equipment

- Ceiling or Wall Platform
- Exhaust Fan
- Light Kit
- Light Kit With Fan Starter



Quantity		Model	Platform		Dimensions			
6"	8"		Wall	Ceiling	A	B	C	
		WXS-120			55"	46.5"	33"	
		WXS-150			64"	56.5"	42"	

Series WXS fume extraction positioning arm is constructed of tubular sections joined by unobstructed flex hose connections. The arm rotates on a bearing assembly comprised of a non-metallic, lubrisc synthetic material. Arms are designed for ceiling or wall mounting to provide source capture for fume removal applications. Available in standard diameters of 6" and 8". The WXS-120 capable of 12' extension and the WXS-150 capable of 15' extension. All arms feature 180 degrees when wall mounted, 360 degrees rotation when ceiling mounted.