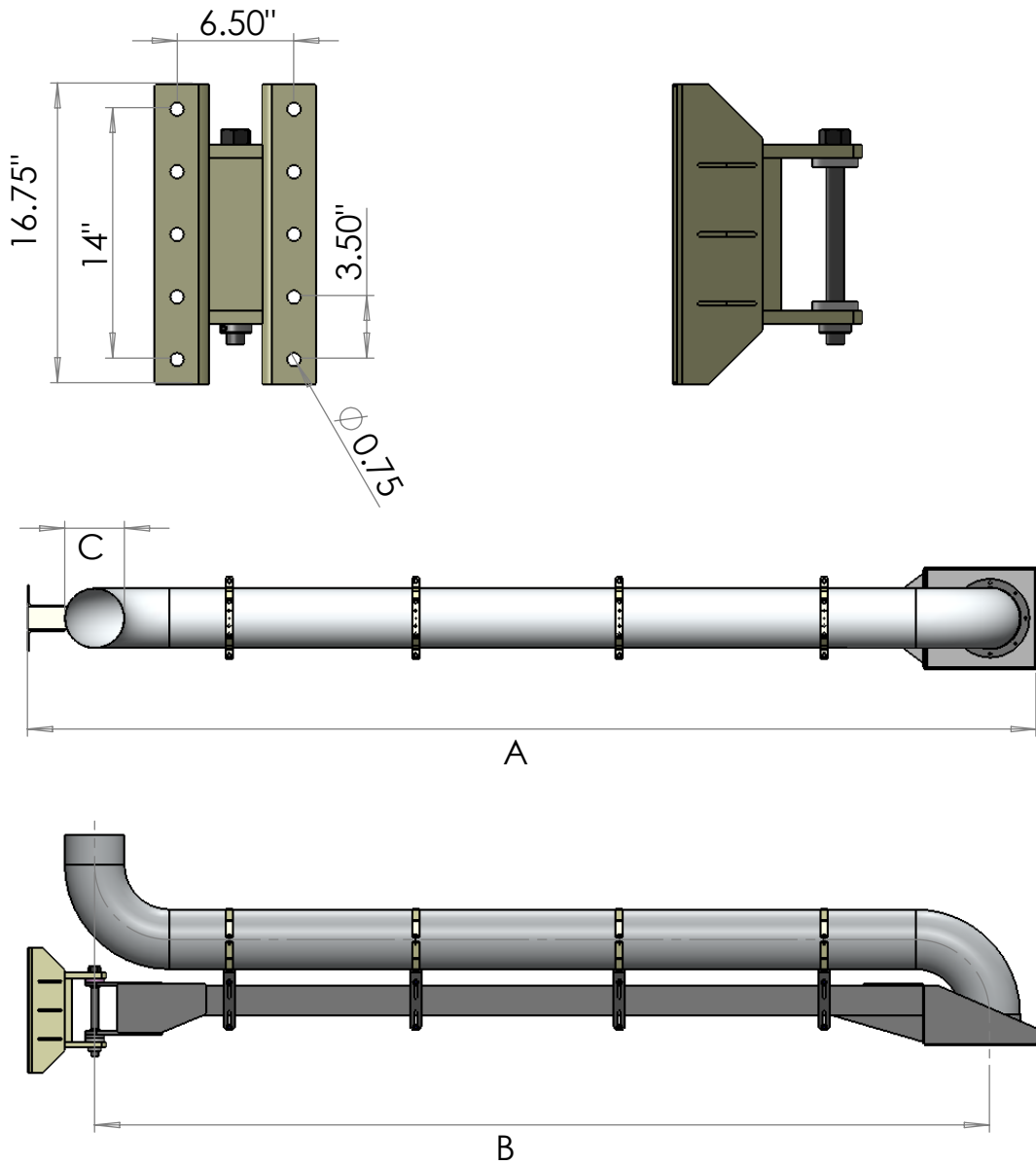


EXT EXTENSION BOOM



Quantity	Model	Dimensions			Comments
		A	B	C	

Series EXT extension boom is constructed of an aluminum body structure with galvanized or stainless steel ducting. The duct is secured by adjustable steel brackets and flange connected to the end of the boom. The wall mounting base is constructed of welded heavy gauge steel with load bearings and pivot shafting, to accommodate a variety of load requirements. The duct assembly shall consist of (2) elbows and a stainless duct swivel mounted inline with the boom pivot shafting. The standard available sizes are 6", 7", 8" & 10" diameters with common lengths available in 5', 8', 10' and 12'.

Optional accessories shall include WXS series arm, hose assembly, LFT retractor, and custom hood assemblies. Extension boom shall be Series EXT as manufactured by Car-Mon Products, Inc. of Elgin, Illinois.

*Factory reserves the right to change dimension data without notice.