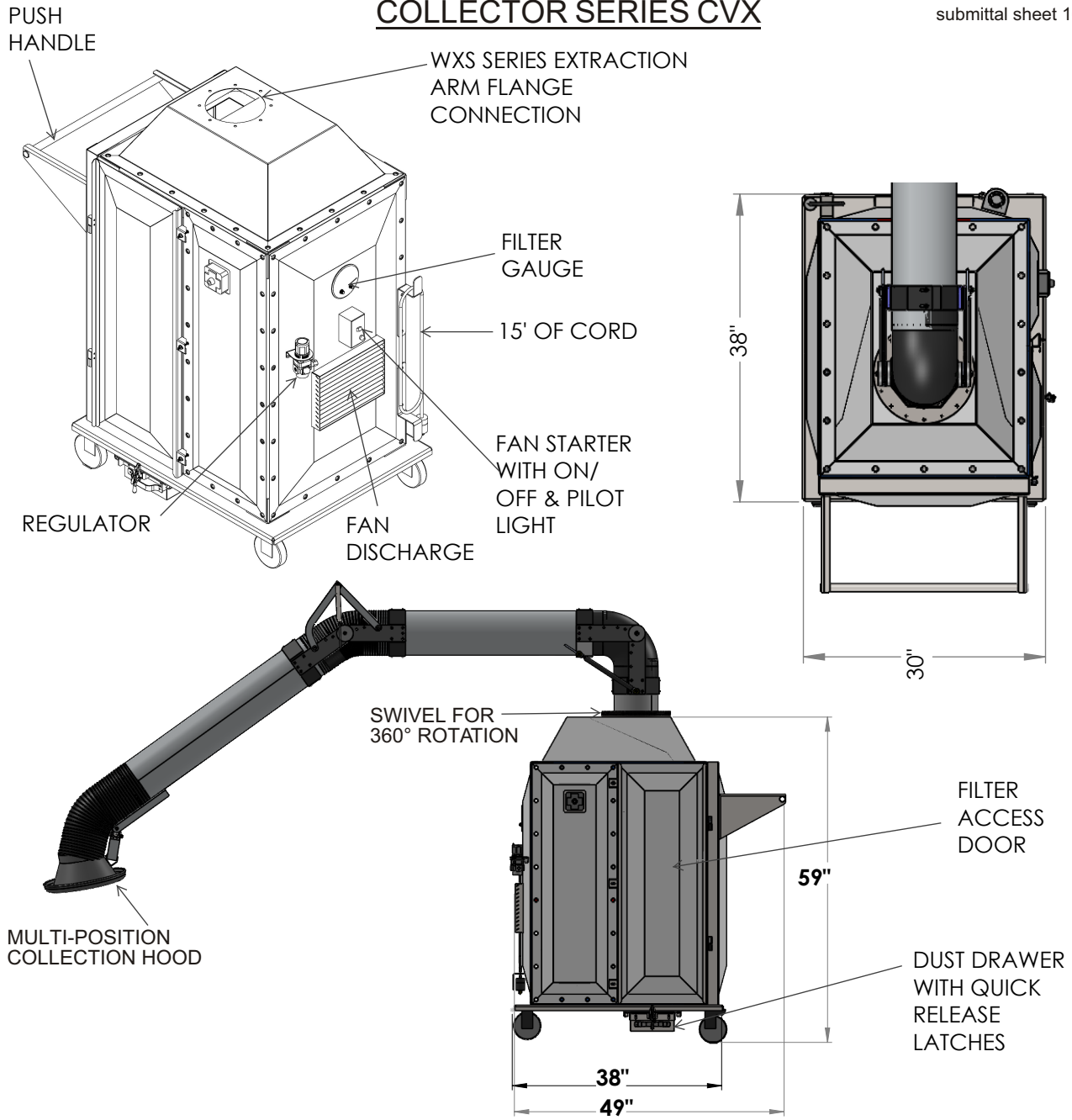


PORTABLE FUME COLLECTOR SERIES CVX

(For complete arm details, see WXS submittal sheet 16-W2)



PRODUCT FEATURES

Series CVX Portable units are complete with exhaust fan and fume extraction arm constructed of 6" or 8" diameter tubular sections joined by unobstructed flex hose connections. The arm rotates on a bearing assembly comprised of a non-metallic, lubricistic synthetic material. To provide ease of movement, the base is equipped with casters, two fixed and two swivel, with locking devices for positive placement. A 15' grounded extension cord is also provided. **The CVX cabinet** is equipped with an aluminum pre-filter, and MERV 15 Nanofiber cartridge filter. Cabinet shall be provided with manual pulse clean package, (compressed air, 85-100 PSI required). Arm lengths, as well as custom filter configurations are available, consult factory. Unit is manufactured in USA, using American components, by Car-Mon Products, Inc. Elgin, Illinois.

Note: Factory reserves the right to change dimensional data without notice.

QTY.	MODEL	HP	CFM	VOLT/PH/Hz	ARM LENGTH	ARM DIAMETER	PRE-FILTER	FILTER INFORMATION			OPTIONS
								QTY	SQ.FT.	MEDIA	
							ALUMINUM				