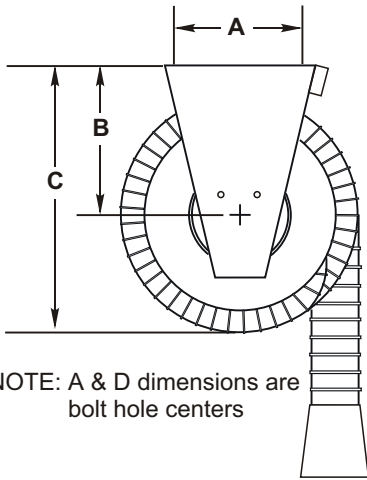
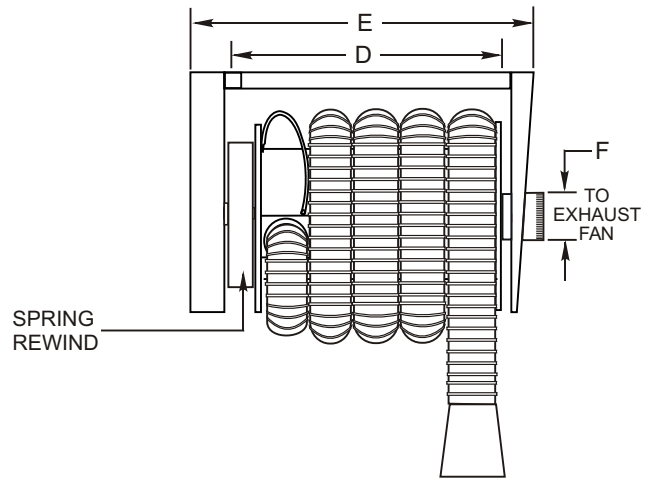


# CAR-MON SERIES TSR-S TUBING STORAGE REEL

With Spring Operator

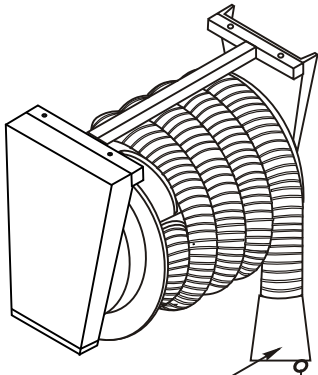


NOTE: A & D dimensions are bolt hole centers



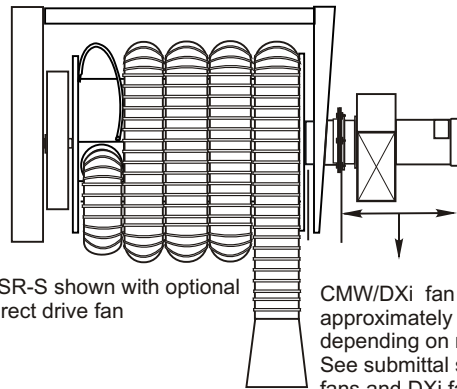
SPRING REWIND

TO EXHAUST FAN



TAILPIPE ADAPTER  
Other adapters and configurations available

PULL DOWN CABLE AND RING



TSR-S shown with optional direct drive fan

CMW/DXi fan length is approximately 20 inches depending on motor. See submittal sheet for CMW fans and DXi fans for complete dimensional information.

QTY.	MODEL	HOSE DIA.	HOSE TYPE	HOSE LENGTH	ADAPTER	CMW/DXi FAN	A	B	C	D	E	F	WT.
	TSR-S24	3"					9 3/4	18 7/8	31	26 3/4	37 3/4		150
	TSR-S24	4"					9 3/4	18 7/8	32	26 3/4	37 3/4		150
	TSR-S32	5"					9 3/4	18 7/8	33	34 3/4	45 3/4		185
	TSR-S32	6"					9 3/4	18 7/8	34	34 3/4	45 3/4		185
	TSR-S36	7"					9 3/4	19 7/8	35	38 3/4	49 3/4		210
	TSR-S36	8"					9 3/4	19 7/8	36	38 3/4	49 3/4		210

CAR-MON Series TSR-S is a tubing storage reel designed for use with Car-Mon Hose. Its frame is of welded construction using 2x2x1/8 square tubular steel with 12 gauge end plates, and an airtight rotating cylinder with a recessed inlet fitting to which the flange mounted flexible hose will be bolted. The assembly is spring actuated with a ratchet locking device and integral stop. The standard TSR-S will accommodate up to 25' of tubing. Other lengths and diameters are available, consult factory for details. Series CMW or DXi flange mounted direct drive fans are available as an option.

Note: Factory reserves the right to change dimensional data without notice.

**CAR-MON PRODUCTS, INC.**

1225 Davis Road, Elgin, IL 60123 847/695-9000  
www.car-mon.com e-mail: info@car-mon.com

**08-R3**