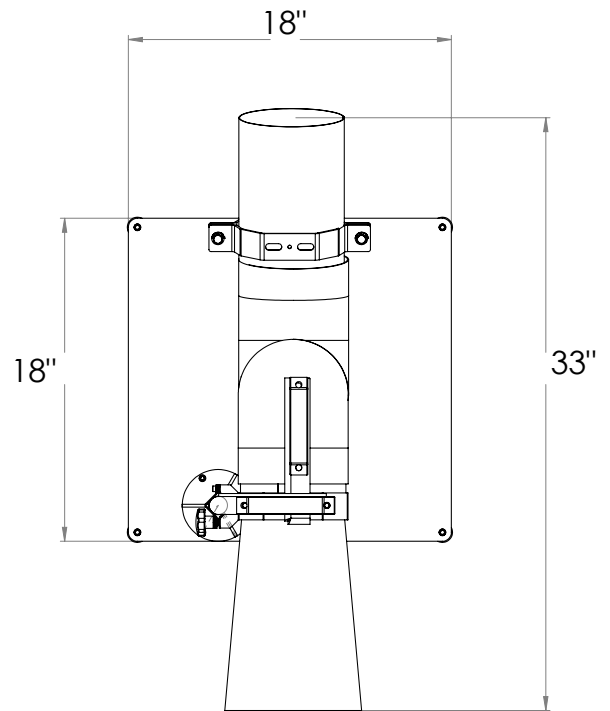
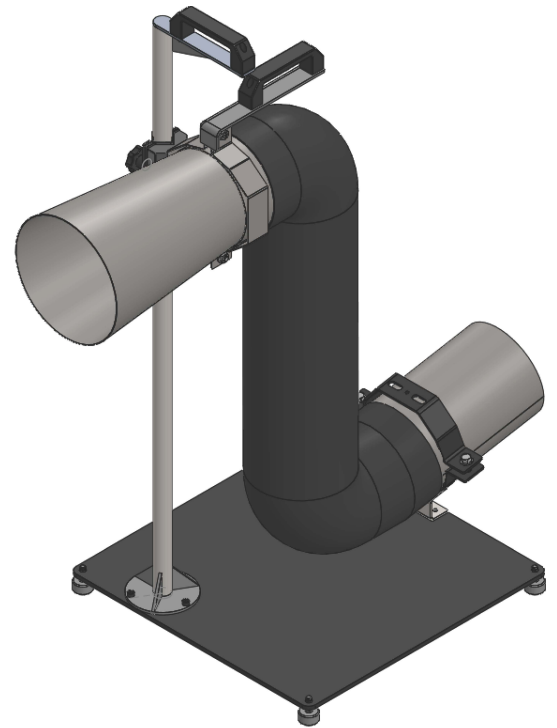
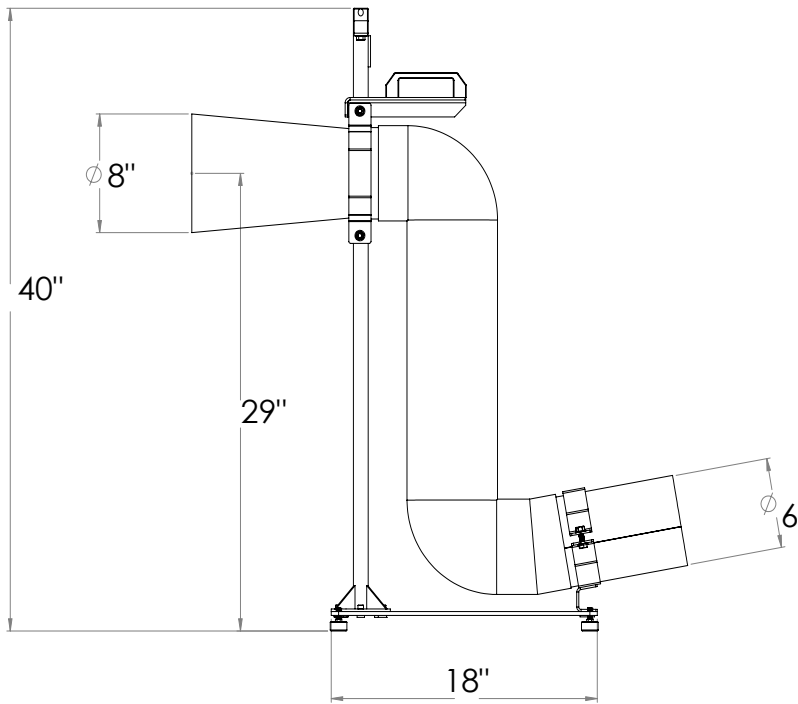


NCS NON-CONTACT ADAPTER



QUANTITY	MODEL

Series NCS adapter stand is a secondary fitting that is designed to fit up in close proximity of a vehicle tailpipe. It shall be constructed of steel and aluminum to provide a lightweight assembly. The steel base shall be coated with a black micro-textured powder finish.

The adapter shall be mounted to a round bracket for placement over the slide pole of the stand. Adapter will slide up and down for height adjustment and secured by a threaded lever. There shall be a flex hose with collar attached near the base of the stand to provide a connection point for the incoming hose assembly. A grasp handle is located on top for placement in the work area. The leveling feet will be provided with a non-slip pad and have a 3" adjustment (also available with casters).

Other sizes and custom configurations available, please consult factory. Series NCS is manufactured by Car-Mon Products, Inc. of Elgin, Illinois.