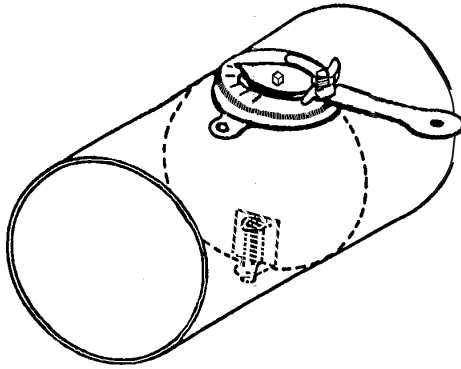


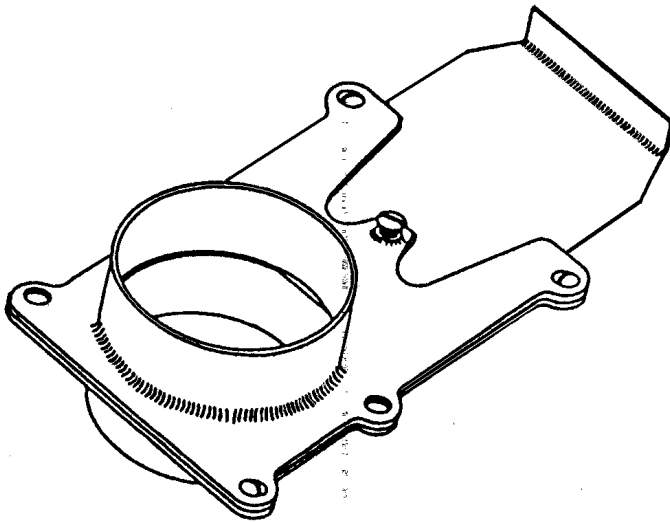
SERIES HD HAND DAMPERS



Car-Mon Series HD Quadrant Locking Type Hand Dampers are of stainless steel construction with die-stamped cadmium plated damper fittings. Applications include flexible hose assemblies, M Series receptors, and duct. Larger sizes available on request.

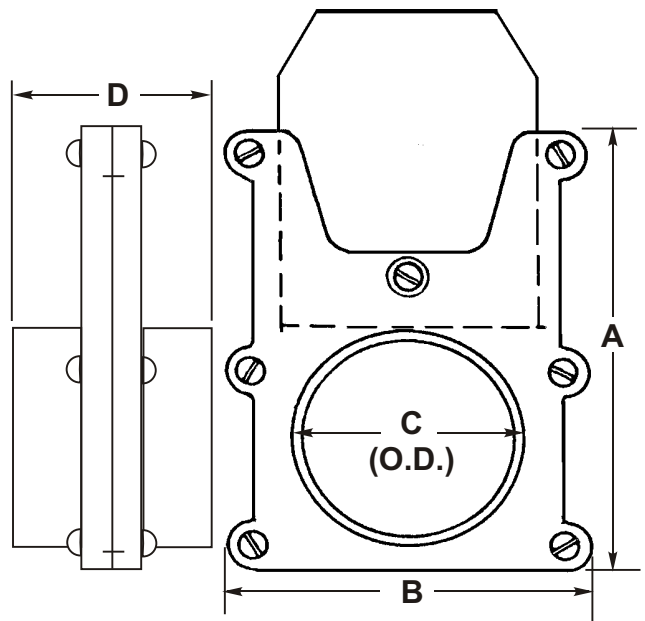
Quantity	Model	Size
	HD-30	3"
	HD-40	4"
	HD-50	5"
	HD-60	6"
	HD-80	8"

SERIES BG BLAST GATE DAMPERS



Car-Mon Series BG Blast Gate Dampers are of 2-piece cast construction with fully adjustable sliding gate and set screw for permanent damper setting. Applications include use on duct for dust collecting systems and on carbon monoxide or welding fume exhaust systems. Other sizes available on request.

Pneumatic gates available. Consult factory.



Quantity	Model	Size	A	B	C	D
	BG-30	3"	5.65"	4"	2.82"	1.91"
	BG-40	4"	6.85"	5"	3.87"	1.91"
	BG-50	5"	8.00"	6"	4.75"	2.16"
	BG-60	6"	10.00"	7"	5.82"	2.16"
	BG-70	7"	11.25"	8"	6.81"	2.50"
	BG-80	8"	12.62"	9.6"	7.85"	3.50"