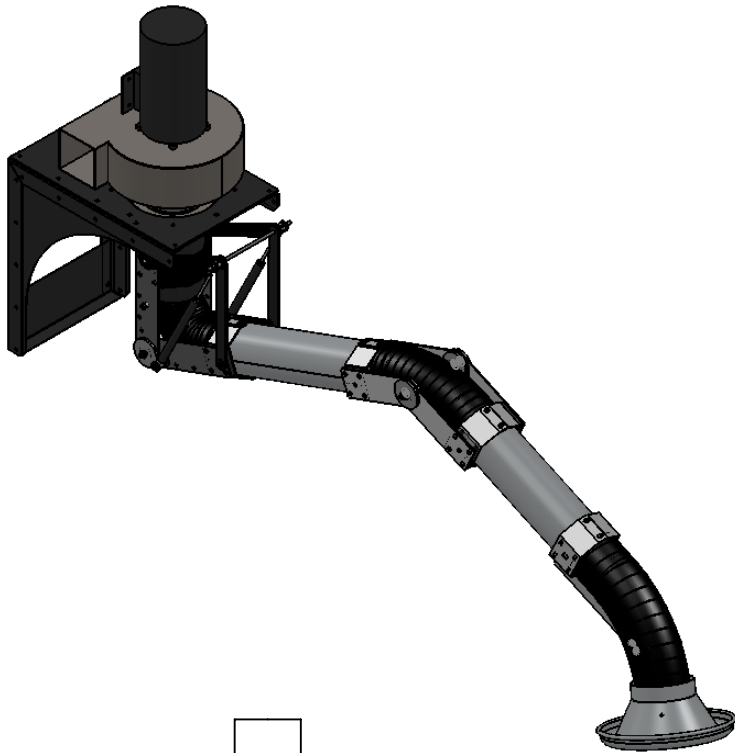


WXS Series Extraction Arm

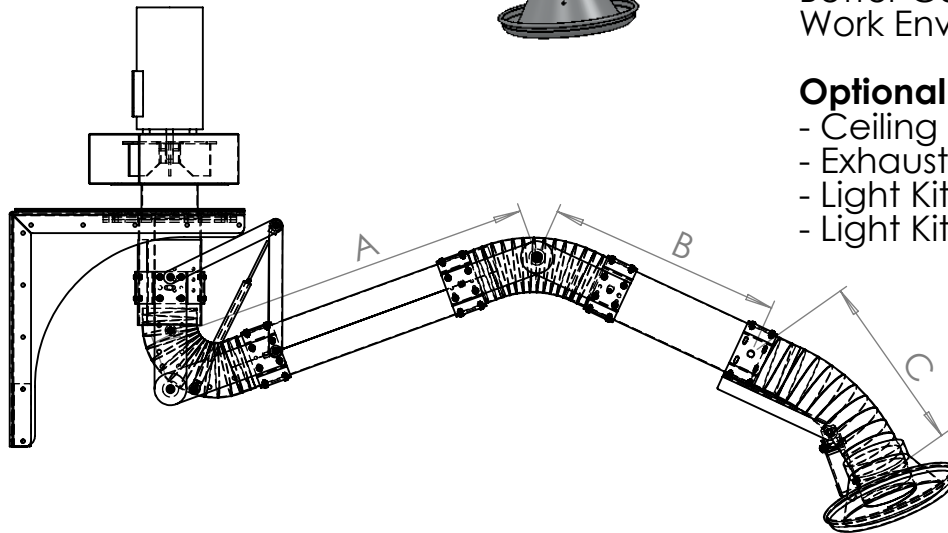


Key Features

- In Keeping With Car-Mon's Design Philosophy, All Components are Kept out of The Airstream For Smooth and Even Airflow
- Integral Bolt-up Flange Mounting With 360 deg Synthetic Lubrisc Bearing Assembly
- Aluminum Construction With Tensioning Adjustments at Articulation Joints
- Omni-Directional Positioning at Receptor, Allowing For Better Coverage Around the Work Envelope

Optional Equipment

- Ceiling or Wall Platform
- Exhaust Fan
- Light Kit
- Light Kit With Fan Starter



Quantity		Model	Platform		Dimensions			
6"	8"		Wall	Ceiling	A	B	C	
		WXS-070			29"	36"	15"	
		WXS-100			46"	56"	15"	

Series WXS fume extraction positioning arm is constructed of tubular sections joined by unobstructed flex hose connections. The arm rotates on a bearing assembly comprised of a non-metallic, lubrisc synthetic material. Arms are designed for ceiling or wall mounting to provide source capture for fume removal applications. Available in standard diameters of 6" and 8". The WXS-070 capable of 7' extension and the WXS-100 capable of 10' extension. All arms feature 180 degrees when wall mounted, 360 degrees rotation when ceiling mounted.