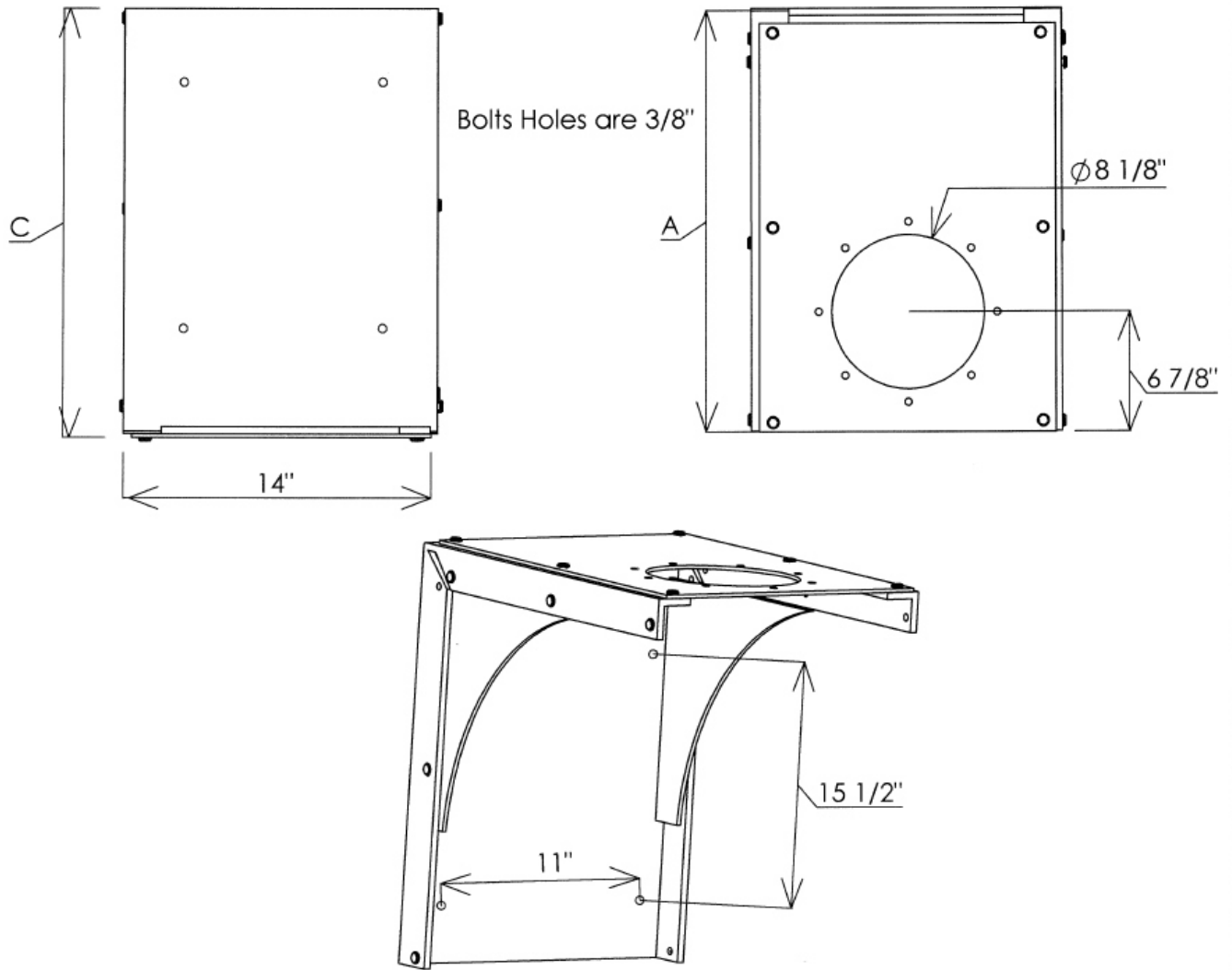


# CAR-MON WELDING ARM WALL MOUNTING PLATFORM



Model WX-WB is used with:  
 Series WXS Welding  
 Exhaust Arms, Wall Mounted

Note: Factory reserves the right to change dimensional data without notice.

Quantity	Model	A	C
	WX-WB	18 1/2"	18 3/4"

Car-Mon wall platforms are constructed of 12 gauge high strength steel construction. Wall platforms have a black powder coat finish. Wall platforms are compatible with other Car-Mon accessories. Wall platforms are available in custom configurations. Consult factory for details.