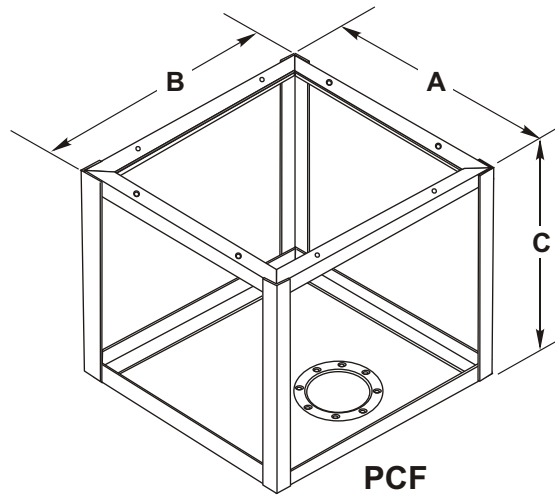
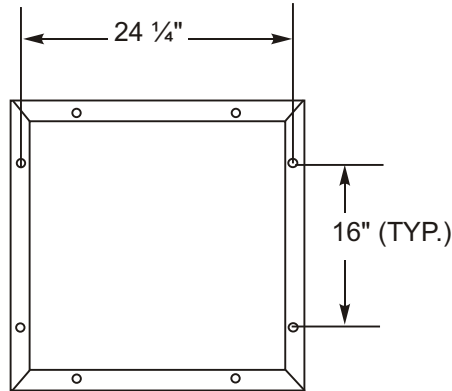


CAR-MON WELDING ARM CEILING MOUNTING PLATFORMS

All Welded Construction

**MOUNTING
BOLT HOLE
DETAIL**

Bolt holes are 1/2".



Model PCF is used with:
Series WXS Welding Arms, ceiling
mounted

Note: Factory reserves the right to change dimensional data without notice

QUANTITY	MODEL	A	B	C	Car-Mon ceiling platforms are constructed of 1½" x 1½" x 3/16" structural steel angle and are completely welded construction. Ceiling platforms are designed to be compatible with other Car-Mon accessories. Ceiling suspended platforms are available in custom configurations. Consult factory for details.
	PCF	26"	26"	27"	