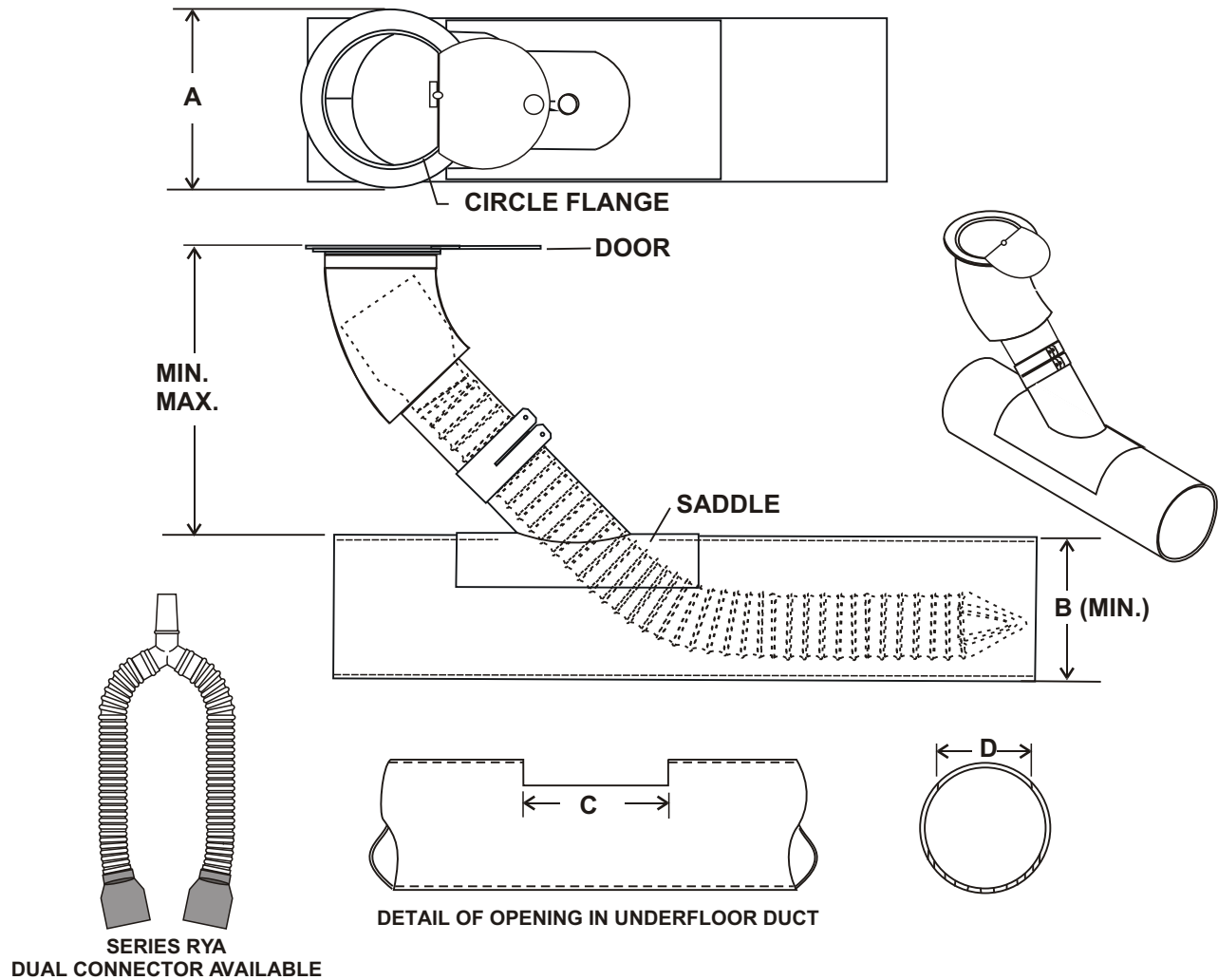


**CAR-MON FLOOR RECEPTACLE SERIES 09 SINGLE CONCEALED TYPE UNITS
ALL STAINLESS STEEL CONSTRUCTION**



SADDLE SIZE INFORMATION

MODEL NUMBER	QUANTITY	DUCT DIAMETER

MODEL NUMBER	QTY.	PIPE	Hose Assembly			A	Elevation		B	C	D
			TYPE	DIA.	LENGTH		MIN.	MAX.			
09TR-4						11"	16¼"	21¼"	8"	12"	6"
09TR-5						13"	18½"	26½"	10"	12"	7"
09TR-6						14½"	20"	28"	10"	12"	8"
09TR-8			CONTACT FACTORY								

Car-Mon Series 09TR Floor Units are of all stainless steel construction including ¼" single thickness stainless steel floor flange and door. Machined inset hinge mount configured for "lay flat" door to rest on finished floor when open. Top assembly includes stainless steel adapter storage canister, baffled hose chute and saddle insert. Lower assembly includes stainless steel saddle for underfloor duct attachment and split band joiner allowing for self supporting telescopic height adjustment.

Recommended piping mediums are Schedule 40 PVC, fiberglass, or stainless steel spiral duct.

NOTE: Factory reserves the right to change dimensional data without notice.

CAR-MON PRODUCTS, INC.

1225 Davis Road, Elgin, IL 60123 847/695-9000
www.car-mon.com e-mail: info@car-mon.com

09-U1