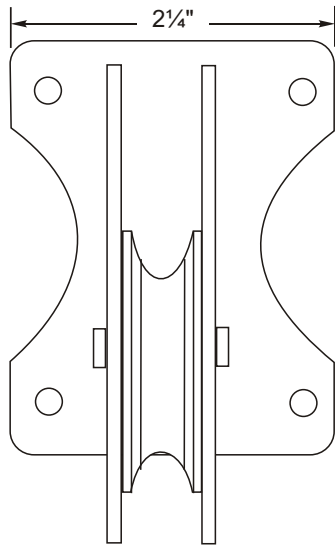
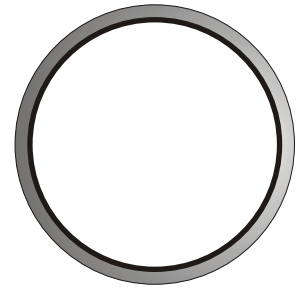
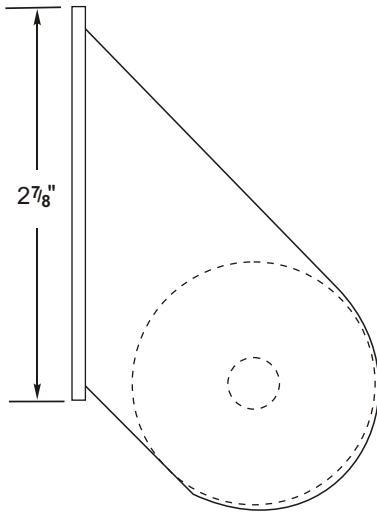


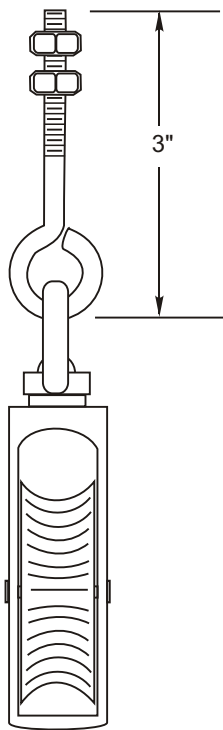
CAR-MON PULL-UP SET HARDWARE



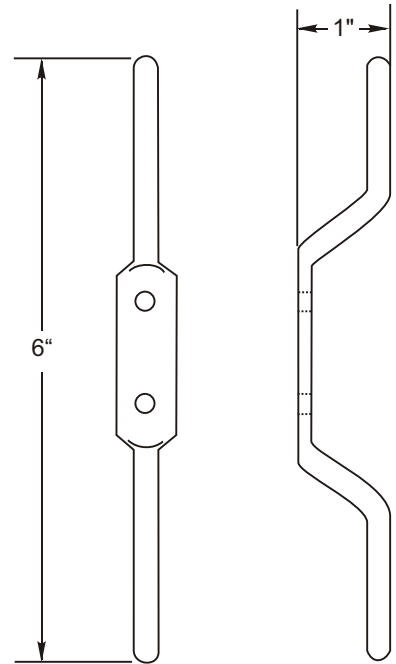
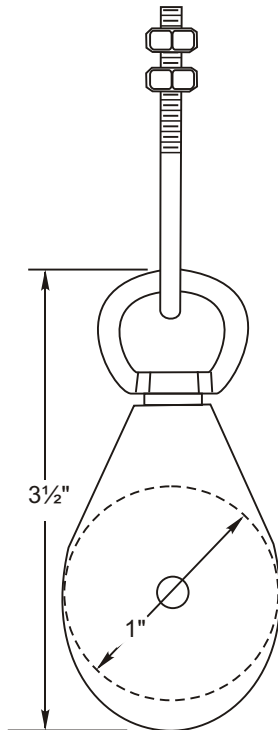
PLATFORM PULLEY



2" STEEL CADMIUM
PLATED LIFT RING



2" CAST STEEL CADMIUM
PLATED SWIVEL BLOCK PULLEY



6" CAST STEEL CADMIUM
PLATED WALL CLEAT



1/4" NYLON ROPE FOR PS SET



1/8" AIRCRAFT CABLE FOR PSW SET



1/8" CAST STEEL CADMIUM
PLATED CABLE CLAMP