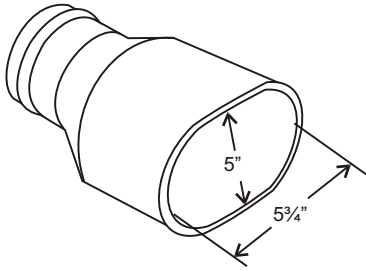


CAR-MON EPDM ADAPTERS

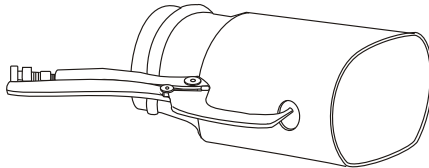
Series RO EPDM Adapter



Series **RO** is a versatile adapter designed for use on cars and small trucks. For 3" or 4" hose

QTY.	MODEL	HOSE DIA.
	RO-3	3"
	RO-4	4"

Series ROC EPDM Adapter

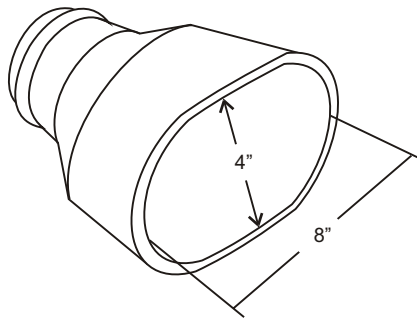


Inside dimensions same as ROW

Series **ROC** adapter designed for use on cars or small trucks. Adjustable tension vise grip assures secure attachment. For use with 3" or 4" hose.

QTY.	MODEL	HOSE DIA.
	ROC-3	3"
	ROC-4	4"

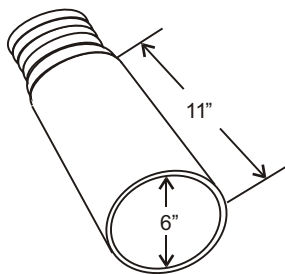
Series ROW EPDM Adapter



Series **ROW** adapter is specially constructed with a wider opening to accommodate side by side dual exhaust configurations. For use with 3" or 4" hose.

QTY.	MODEL	HOSE DIA.
	ROW-3	3"
	ROW-4	4"

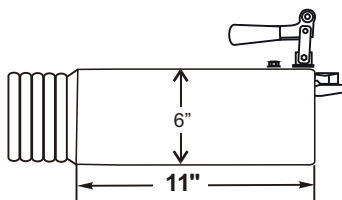
Series RS EPDM Adapter



Series **RS** adapter is a straight type adapter for use on cars and trucks. For 4", 5", or 6" hose.

QTY.	MODEL	HOSE DIA.
	RS-4	4"
	RS-5	5"
	RS-6	6"

Series RSC EPDM Adapter



Series **RSC** adapter is a straight type adapter for use on cars and trucks. Adjustable clamp grip assures secure attachment. For use with 4", 5", or 6" hose.

QTY.	MODEL	HOSE DIA.
	RSC-4	4"
	RSC-5	5"
	RSC-6	6"