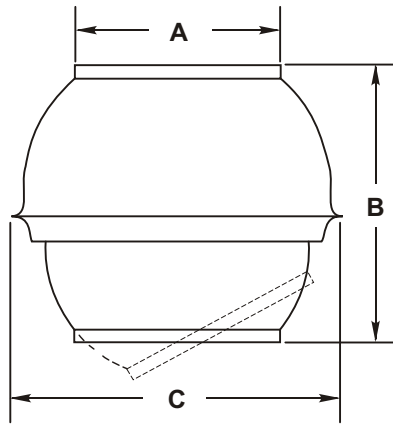


### CAR-MON SERIES J SWIVEL SOCKET

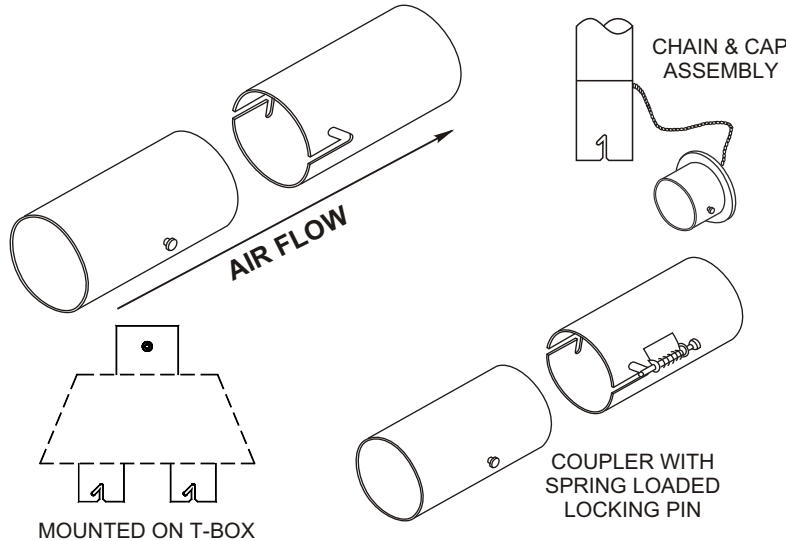


### CAR-MON SWIVEL SOCKET FITTING

QTY.	MODEL NO.	A	B	C
	3J	3"	4 3/4"	5 1/2"
	4J	4"	6 5/8"	7 3/8"
	5J	5"	7 3/4"	9"
	6J	6"	8 3/4"	10 3/8"
	8J	8"	11"	12 3/4"

CAR-MON Series J Swivel Sockets can be used with flex hose and CAR-MON fittings for greater flexibility.

### CAR-MON SERIES CM COUPLER SET

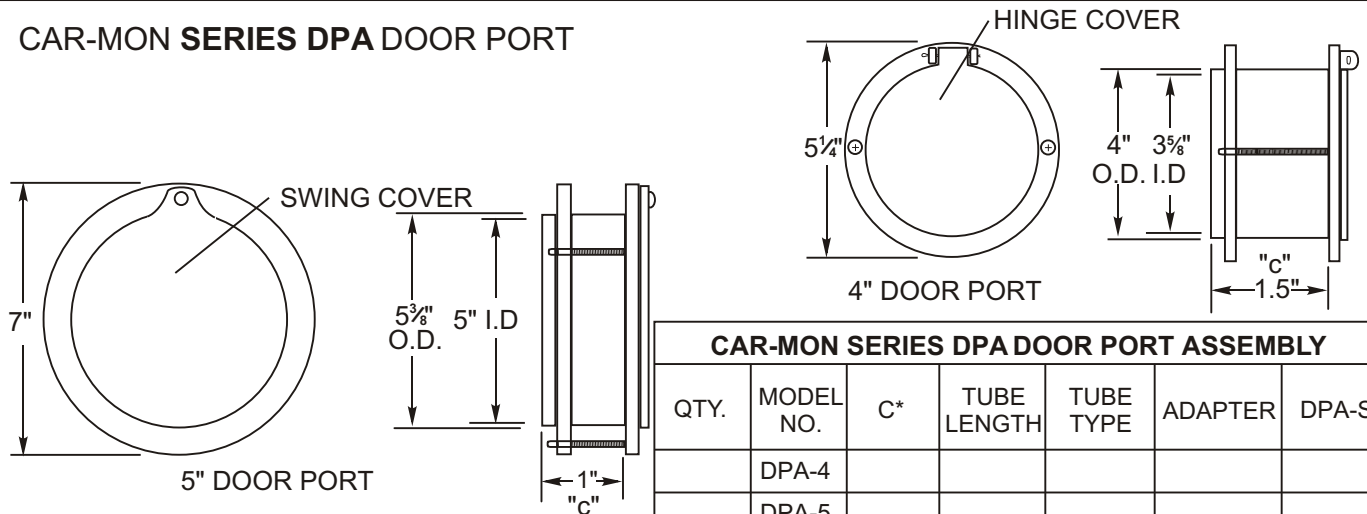


### CAR-MON SERIES CM COUPLER SET

QTY.	MODEL NO.	DIA.	CAP & CHAIN	LOCKING PIN
	CM-30	3"		
	CM-40	4"		
	CM-50	5"		
	CM-60	6"		
	CM-80	8"		

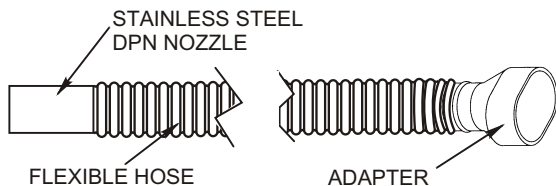
CAR-MON Series CM Lock Couplers are of 20 ga. stainless steel seam welded construction designed for quick connection of flexible hose to duct, Series T, Y, or W Dual Fittings, or other flexible hose. CM Series Couplers are also available with a chain & cap assembly for capping off connections, and a spring loaded locking pin.

### CAR-MON SERIES DPA DOOR PORT



### CAR-MON SERIES DPA DOOR PORT ASSEMBLY

QTY.	MODEL NO.	C*	TUBE LENGTH	TUBE TYPE	ADAPTER	DPA-S
	DPA-4					
	DPA-5					



CAR-MON Series DPA Door Port Assembly is constructed of two pieces of cast aluminum with a swing or hinged door cover. Specify thickness of door panel or wall to be penetrated. Order Series DPA-N nozzle for hose assembly for plug-in to door port.

\*NOTE: Standard "C" dimension shown above. For longer lengths, extension sleeve Model DPA-S must be ordered. For special diameters or configurations, consult factory.