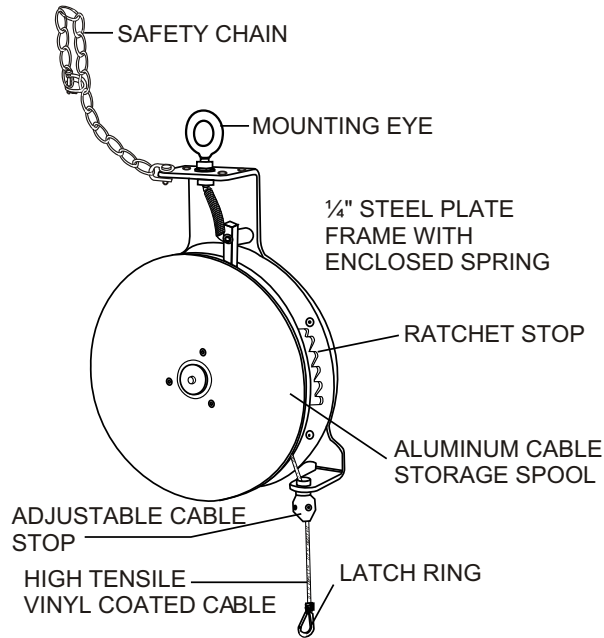


SERIES LFT RETRACTOR

The Series LFT Retractor tubing suspension system is designed to support the flexible tubing from overhead when not in use, allowing it to be lowered to the operating level when required. The lifting device is a single spring retractor with ratchet stop and 1/4" steel suspension frame with cast eyelet and heavy-duty snap ring.

Series LFT Retractor shall be as manufactured by Car-Mon Products, Inc., Elgin, Illinois



LFT 25

LIFT & TRAVEL CHART	
LIFT CAPACITY (LBS.)	FEET OF TRAVEL
20 OR LESS	25'
25	25'
30	23'
35	20'
40 (MAX.)	12'

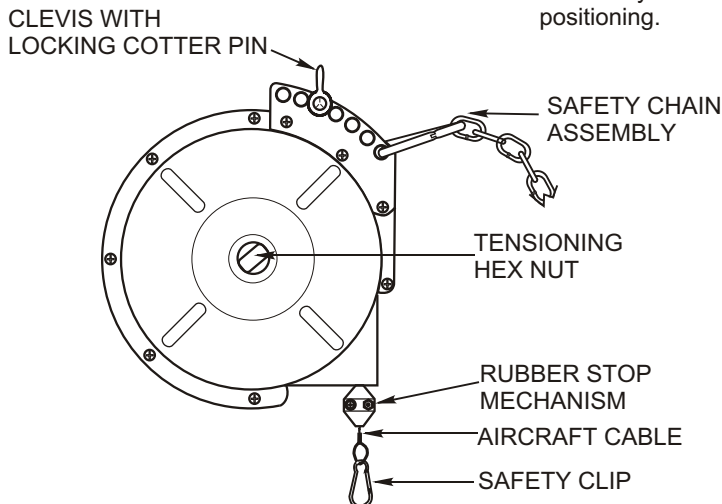
LFT 15

LIFT & TRAVEL CHART	
LIFT CAPACITY (LBS.)	FEET OF TRAVEL
12 OR LESS	20'
15	15'
18	10'
22 (MAX)	5'

QTY.	LFT 15	LFT 25	TUBE TYPE	TUBE DIAMETER	TUBE LENGTH	ADAPTER TYPE

SERIES BA BALANCER

The Car-Mon **Series BA** Spring Balancer is of industrial grade construction including steel internal components within a metal enclosure, and an adjustable hanger bracket for clevis and safety chain if necessary. The balancer is equipped with 1/8" diameter aircraft cable with a maximum travel range of 16'. Our balancer is factory adjusted to properly support the tube and adapter within the required travel range. Tension control is provided as a standard feature if field adjustment is necessary. Also included is an on/off ratchet lock which allows for positive height positioning.



LIFT & TRAVEL CHART	
LIFT CAPACITY (LBS.)	FEET OF TRAVEL
9 OR LESS	16'
12	13'
15 (MAX)	10'

QTY.	TUBE TYPE	TUBE DIAMETER	TUBE LENGTH	ADAPTER TYPE