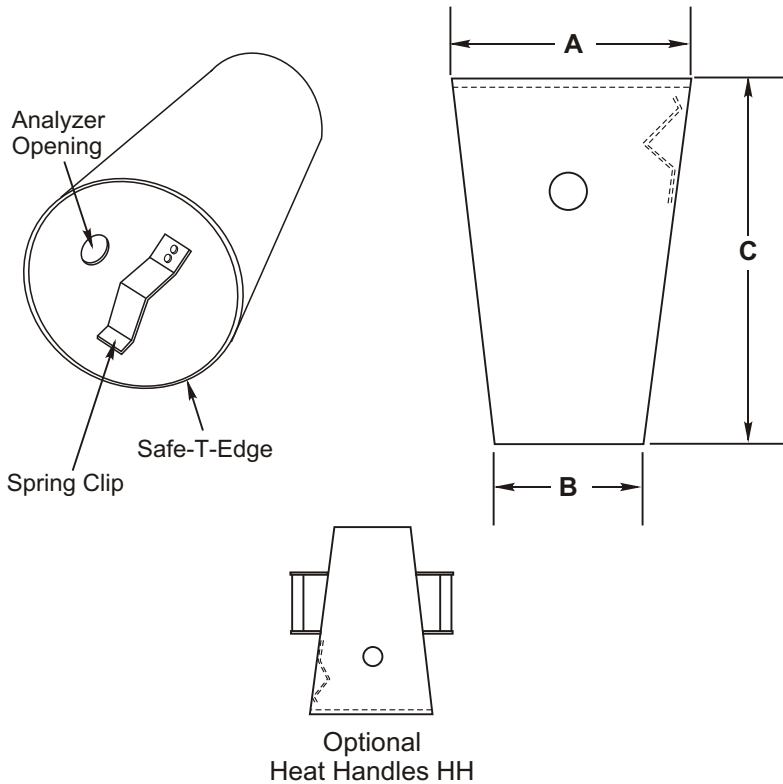


# CAR-MON STAINLESS STEEL EXHAUST PIPE ADAPTERS

## Series A Adapters



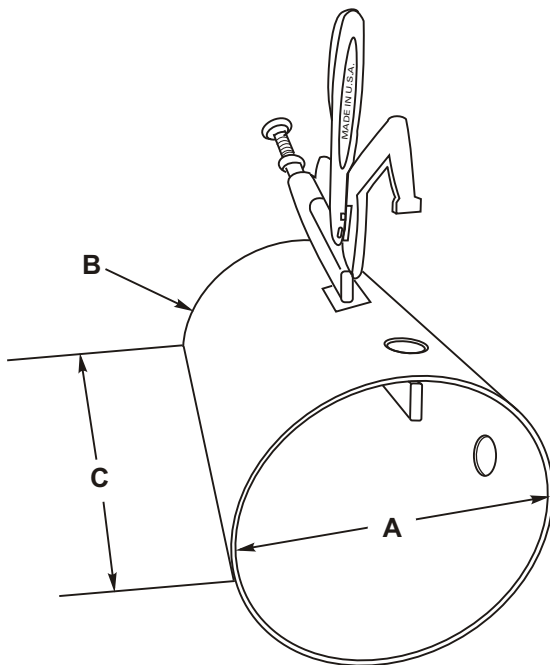
**Series A** tapered cone adapters are of 20 ga. stainless steel construction. Standard features include Safe-T-Edge for safe handling, spring clip for exhaust pipe attachment, and an exhaust analyzer opening for emission testing. Heat handles available as an option.

Other sizes and configurations for special applications also available, consult factory.

Note: Factory reserves the right to change dimensional data without notice

QTY.	MODEL	A	B	C	HH
	3A	4 <sup>3</sup> / <sub>4</sub> "	2 <sup>3</sup> / <sub>4</sub> "	10"	
	4A	5 <sup>3</sup> / <sub>4</sub> "	3 <sup>3</sup> / <sub>4</sub> "	10"	
	5A	6 <sup>3</sup> / <sub>4</sub> "	4 <sup>3</sup> / <sub>4</sub> "	10"	
	6A	7 <sup>3</sup> / <sub>4</sub> "	5 <sup>3</sup> / <sub>4</sub> "	10"	
	7A	8 <sup>3</sup> / <sub>4</sub> "	6 <sup>3</sup> / <sub>4</sub> "	10"	
	8A	9 <sup>3</sup> / <sub>4</sub> "	7 <sup>3</sup> / <sub>4</sub> "	12"	
	10A	11 <sup>1</sup> / <sub>4</sub> "	9 <sup>3</sup> / <sub>4</sub> "	16"	

## Series CTA Adapters



**Series CTA** clamping type adapters are of 20 ga. stainless steel construction, with locking vise grip type clamp. They are specifically designed for applications where a secure connection is needed. Standard features include SafeT-Edge for safe handling, heavy duty locking vise grip, and an exhaust analyzer opening for emission testing.

Other sizes and configurations for special applications also available, consult factory.

Note: Factory reserves the right to change dimensional data without notice.

QTY.	MODEL	A	B	C	HH
	CTA-4	5 <sup>3</sup> / <sub>4</sub> "	3 <sup>3</sup> / <sub>4</sub> "	10"	
	CTA-5	6 <sup>3</sup> / <sub>4</sub> "	4 <sup>3</sup> / <sub>4</sub> "	10"	
	CTA-6	7 <sup>3</sup> / <sub>4</sub> "	5 <sup>3</sup> / <sub>4</sub> "	10"	
	CTA-7	8 <sup>3</sup> / <sub>4</sub> "	6 <sup>3</sup> / <sub>4</sub> "	10"	
	CTA-8	9 <sup>3</sup> / <sub>4</sub> "	7 <sup>3</sup> / <sub>4</sub> "	12"	
	CTA-10	11 <sup>3</sup> / <sub>4</sub> "	9 <sup>3</sup> / <sub>4</sub> "	16"	