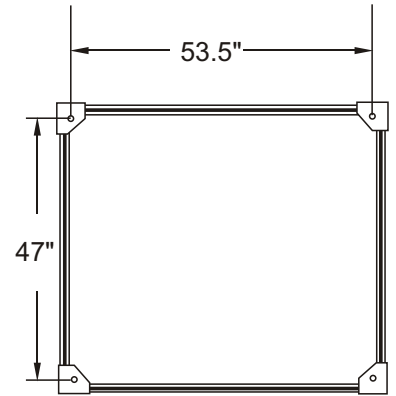
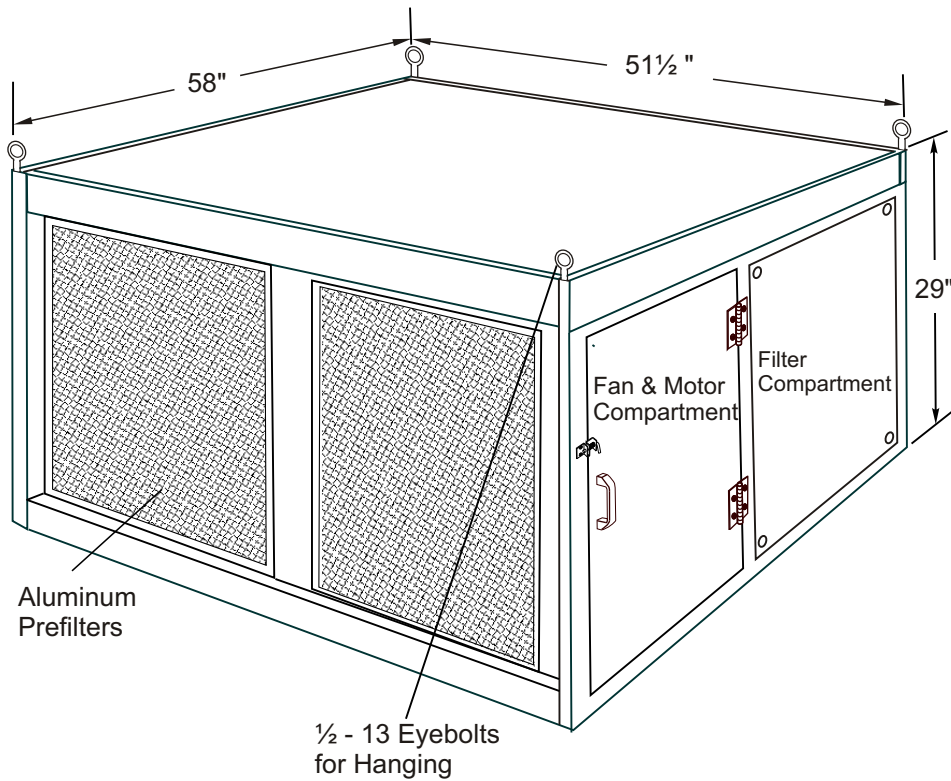
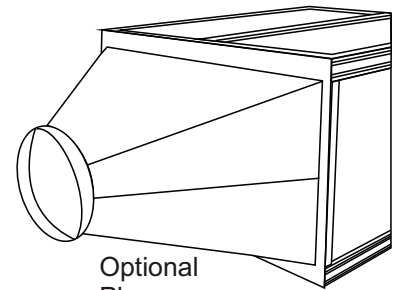


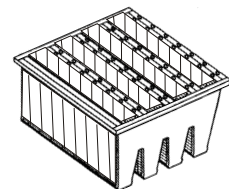
CMX-224 MEDIA FILTER UNIT



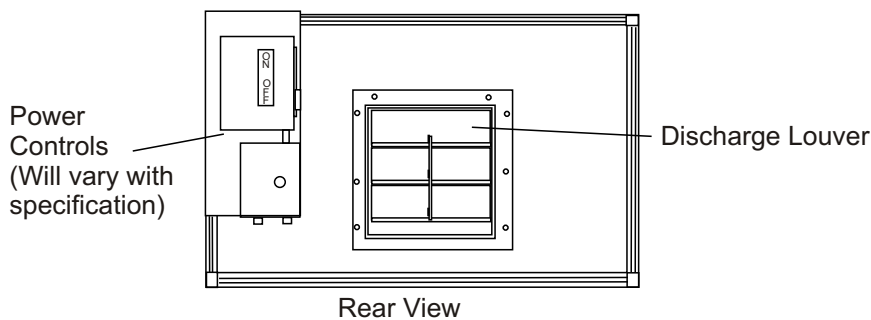
Mounting Bracket Detail



Optional Plenum



Media Filter Unit FM-24 (2 Req.)



Rear View

Car-Mon Media Filter Unit Model CMX-224 includes a structural frame with welded steel construction containing a belt drive fan, factory wired interlock and safety lockout/tagout disconnect switch. Two nominal 24" x 24" spark arresting aluminum pre-filters and two 24" X 24" 95% honeycomb type "V" bank media filter modules are standard. Consult factory for other filter options and unit configurations.

QTY	CFM	SP	HP	ELECTRICAL			ACCESSORIES	OPTIONAL ACCESSORIES
				VOLT	PH	HZ		
								(1). Inlet Plenum - Specify diameter
								(2). Remote Starter - Specify electrical
								(3). HEPA Filter
								(4). Carbon Filter
								(5). Back Draft Damper
								(6). Other _____