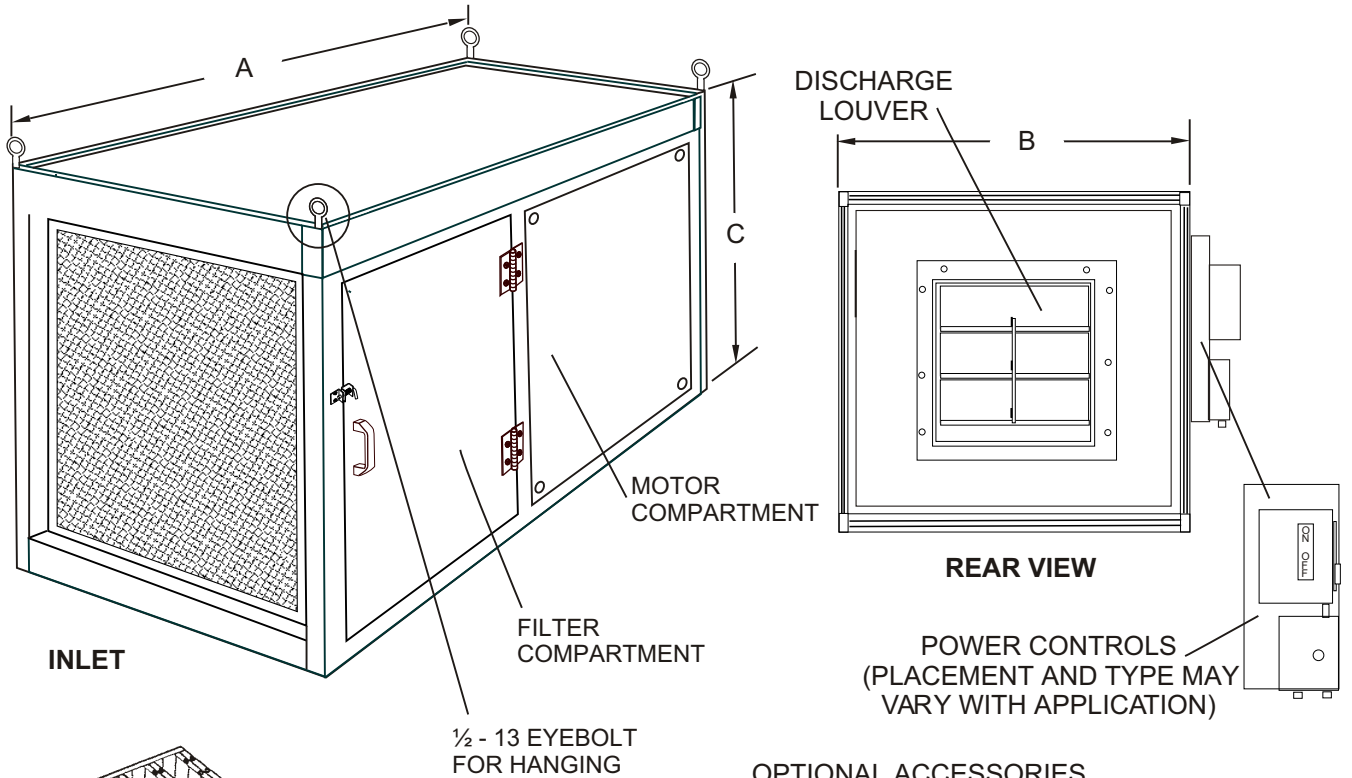


# SERIES CMX-124 MEDIA FILTER UNIT

## STATIONARY UNIT FOR OVERHEAD OR WALL MOUNTING

Standard unit has 95% filter and 3 HP motor with maximum performance of 2800 CFM @ 3.5" ESP



### OPTIONAL ACCESSORIES

- (1). Inlet Plenum - Specify diameter
- (2). Remote Starter - Specify electrical
- (3). HEPA Filter
- (4). Carbon Filter
- (5). Back Draft Damper
- (6). Other \_\_\_\_\_

All dimensions in inches

Car-Mon Media Filter Units include a structural frame with welded steel construction containing a belt drive fan, and safety lockout / tagout disconnect switch. A nominal 24" x 24" spark arresting aluminum pre-filter along with a honeycomb type "V" bank media filter module are standard. Consult factory for other filter options and unit configurations.

Note: Factory reserves the right to change dimensional data without notice.

QTY.	MODEL	HP	CFM REQ.	SP"	FILTER			DIMENSIONS IN INCHES			ELECTRICAL V/PH/Hz	OPTIONS
					95%	HEPA	SIZE	A	B	C		
	CMX-124	3					24" x 24"	48¾	27½	29	208-230/460/3/60	