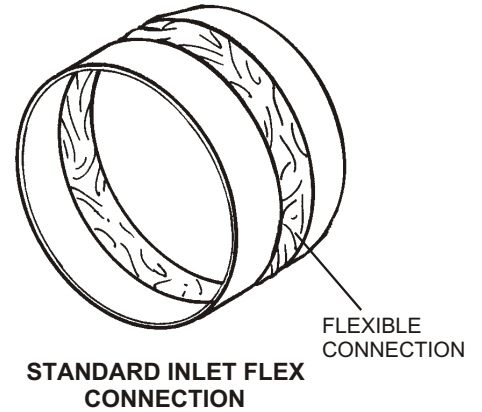
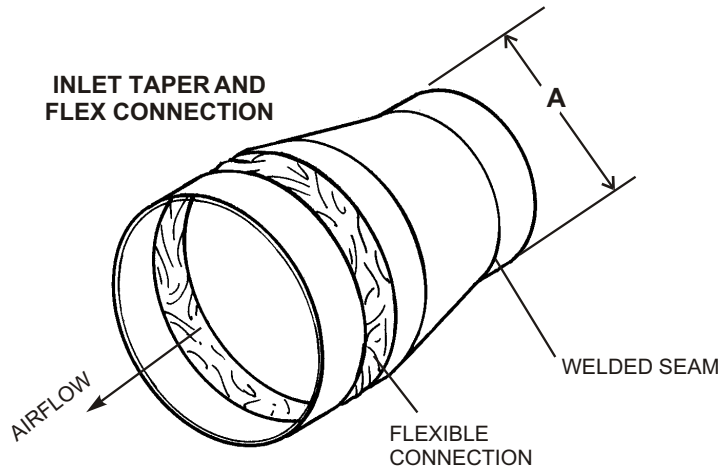
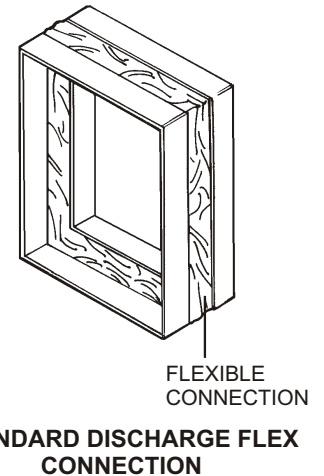
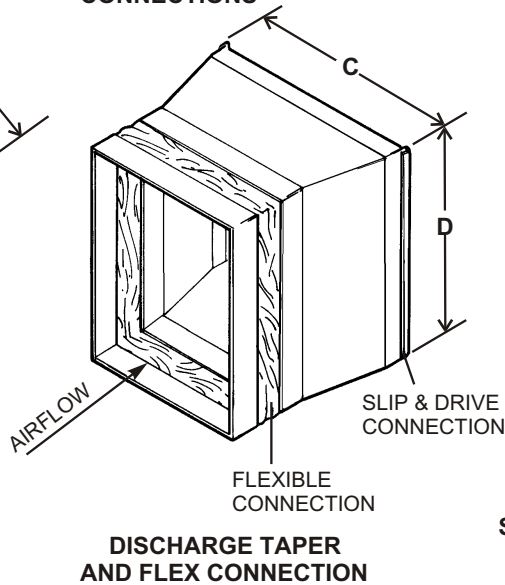
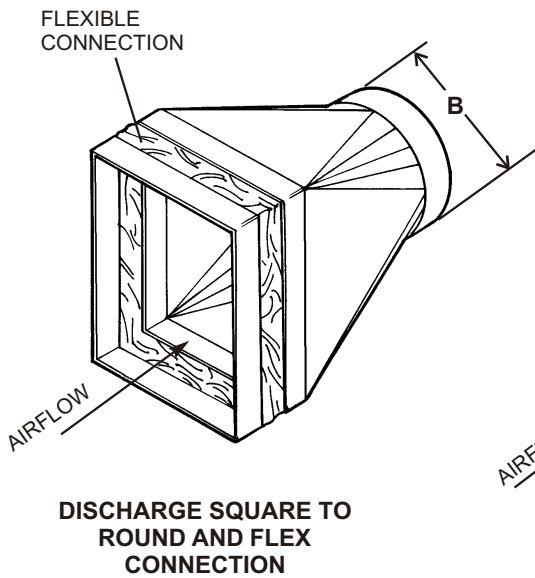


# FAN INLET/DISCHARGE CONNECTIONS

## INLET FAN CONNECTIONS



## DISCHARGE FAN CONNECTIONS



QUANTITY	FAN	STD. INLET FLEX CONN.	STD. DISCH. FLEX CONN.	INLET TAPER CONN. A	DISCHARGE FAN CONNECTIONS		
					B	C	D

Standard flexible material is neoprene coated fiberglass. Other material available at extra cost.

Standard overall length on transition connections is approximately 18"-24". Standard connections are approximately 9".

Refer to fan drawings for inlet and discharge dimensions. Attach a copy of this form when ordering.