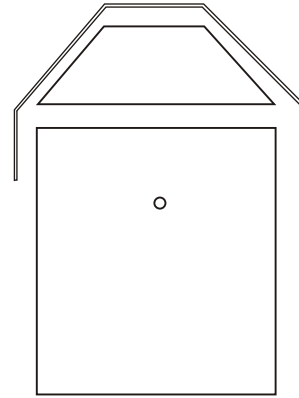
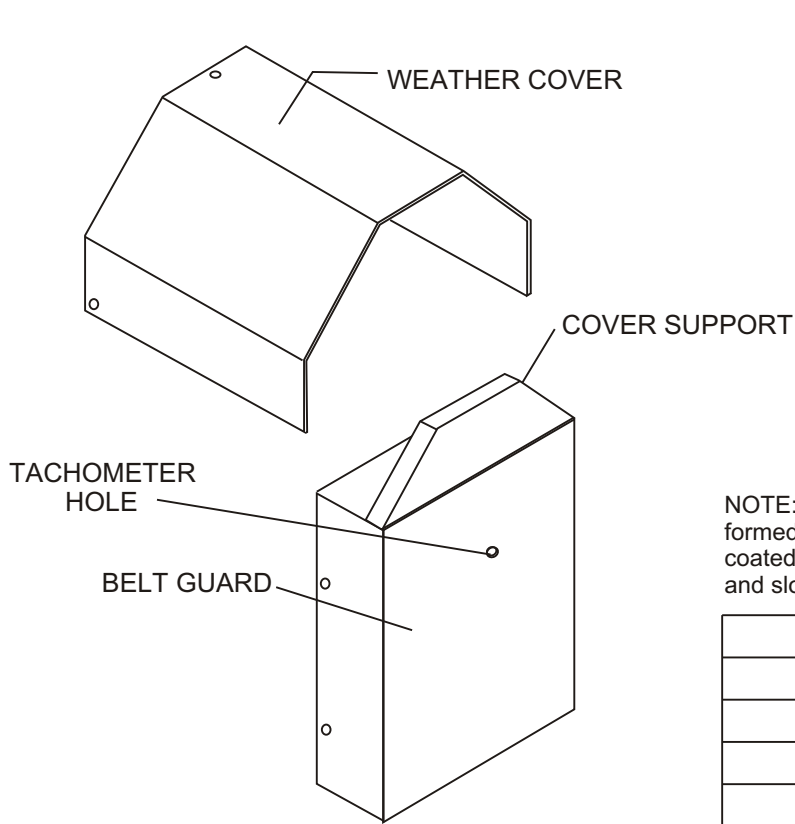


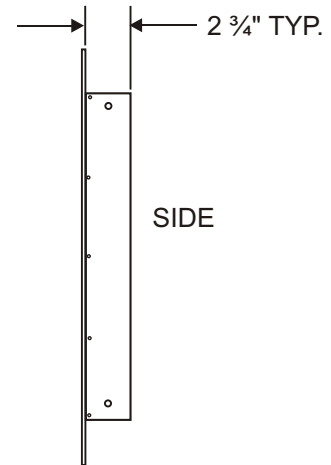
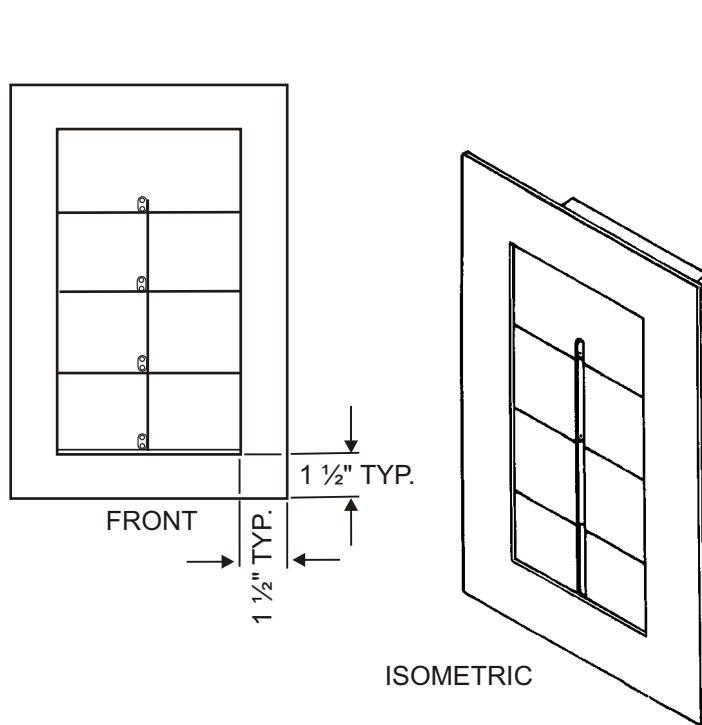
WEATHER COVER FOR BELT DRIVE FANS



NOTE: Car-Mon Weather Covers are constructed of formed 18 ga. cold-rolled steel, polyester powder coated. Features include clipped corners for safety and slots for attachment with 1/4-20 hex bolts.

Quantity	Fan Size

AUTOMATIC CLOSING BACK DRAFT DAMPERS



NOTE: Car-Mon Automatic Closing Back Draft Dampers feature heavy gauge extruded aluminum construction with aluminum damper blades, nylon bearings and felt pad seal. When ordering, indicate quantity and size of fan for which damper is required.

Quantity	Fan Size