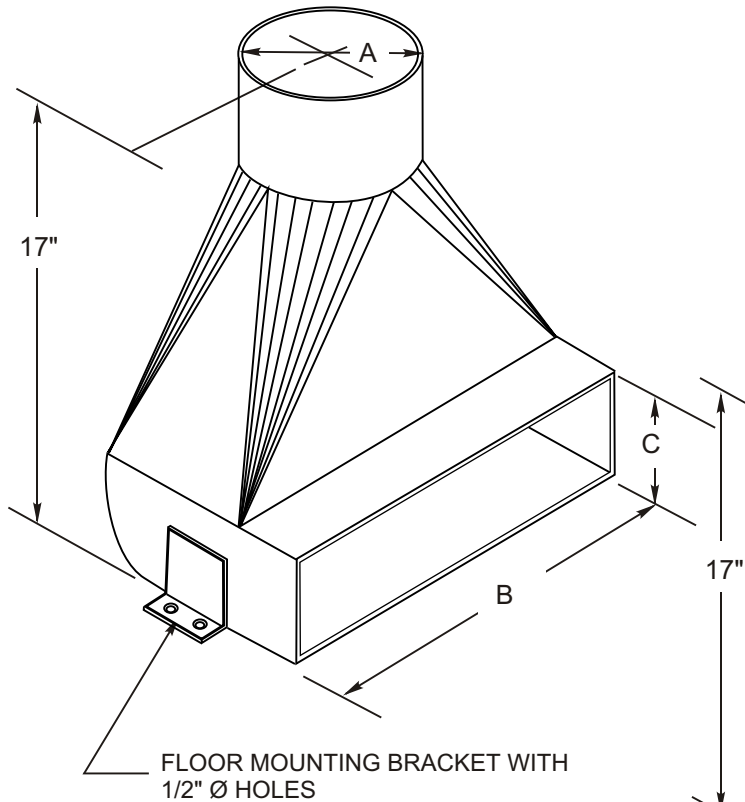
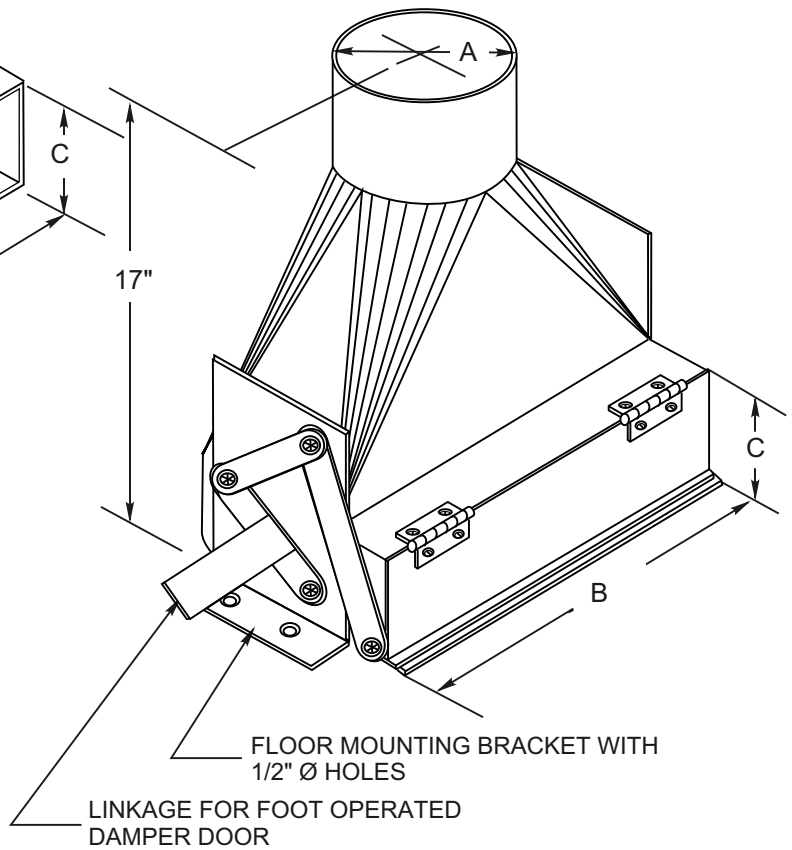


# SERIES FS FLOOR SWEEPS

## SERIES FS-O FLOOR SWEEP



## SERIES FS-F FLOOR SWEEP



ALL DIMENSIONS ARE IN INCHES

QTY.	CONNECT. COLLAR		MODEL	A	B	C	CFM
	CRIMPED	OPEN					
<b>SERIES FS-O FLOOR SWEEP</b>							
			FS-O4	4	12	2	350
			FS-O5	5	12	2½	550
			FS-O6	6	12	3½	750
<b>SERIES FS-F FLOOR SWEEP</b>							
			FS-F4	4	12	2	350
			FS-F5	5	12	2½	550
			FS-F6	6	12	3½	750

CAR-MON SERIES FS-O AND FS-F FLOOR SWEEPS have a minimum resistance airflow design with dimensional considerations based on 4000 FPM nominal duct velocity.

Features include 18 ga. galvanized steel welded construction and floor mounting bracket with 3/8" dia. holes for permanent attachment. The connection collar is available either straight or crimped; please specify when ordering.

Series FS-F has built-in hinged damper with foot-operated damper door opener, including linkage pivots.