

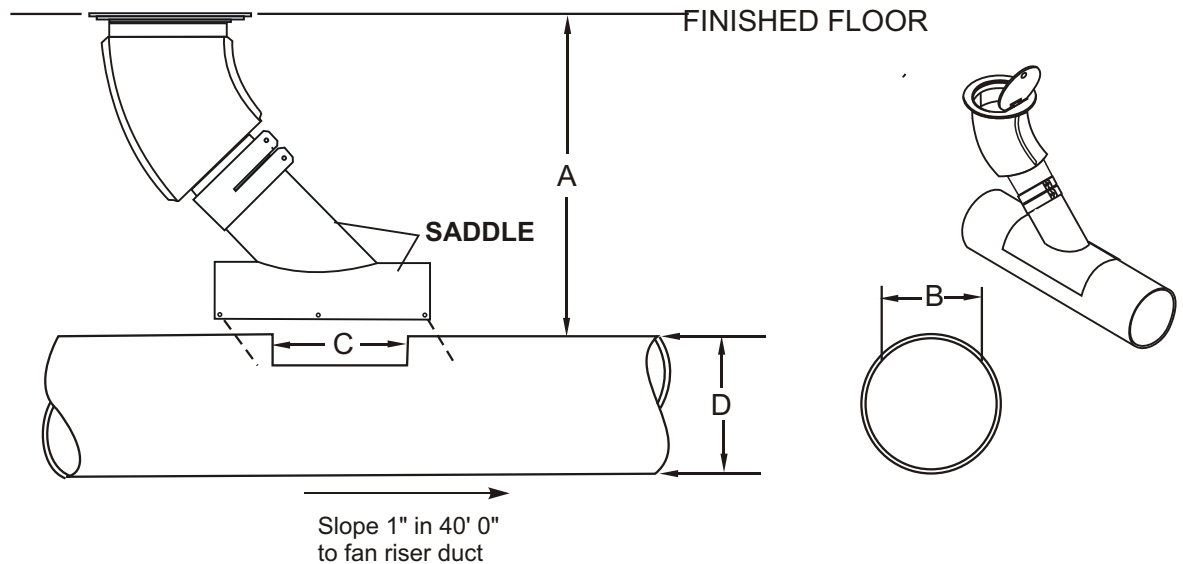
## SERIES 08 DISAPPEARING FLOOR UNITS

### PREPARATION

1. Check all boxes and equipment for any concealed damage. If damage is found, notify the shipper immediately. Car-Mon cannot be responsible for any damage not reported to the shipper.
2. Review the complete instruction sheet before beginning, to get familiar with the components and any extra materials that the installer may have to supply.
3. The underfloor units include the SADDLE, the DOOR & FRAME ASSEMBLY, and the TUBING ASSEMBLY WITH NOZZLE. Saddles are manufactured to fit a specified duct size. When using different size duct, make sure the saddles are matched to the proper size duct. The saddle duct size will be marked on the saddle if different sizes are shipped.
4. This manual contains instructions for installation of units for single or dual tubes.

### INSTALLATION

1. Dig trench to proper depth, pitched 1" in 40' towards fan ducting end for drainage. (It is advisable that a clean-out plenum be provided in the riser duct for clean out of condensation or wash down of the floor.) Underfloor duct can be laid and joined per manufacturer's instructions. See underfloor submittal for top of duct to finished floor dimension.
2. Cut opening in the underfloor duct where the saddle is attached as per illustration below. See table for proper dimensions. For unit to work properly, the underfloor duct depth must be followed carefully.\* Consult factory if depth (top of underfloor duct to finished floor) of underduct exceeds dimension on table.

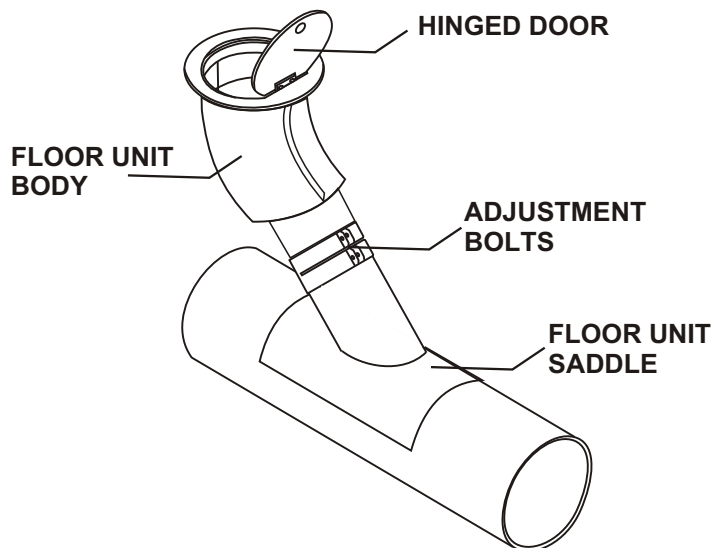


MODEL	TUBE SIZE	UNDERFLOOR DUCT DEPTH A *	B	C	D	SUBMITTAL SHEET
09TR-4	1 - 4"	16¼" - 21¼"	6"	12"	8"	08-U1
09TR-5	1 - 5"	18½" - 26½"	8"	12"	10"	08-U1
09TR-6	1 - 6"	20" - 28"	9"	12"	10"	08-U1
05TRD-4	2 - 4"	15" - 18"	11 ½"	17"	12"	05-U2

3. Place the level saddle completely over the opening. Saddle curvature should be the same as the underfloor duct, if they were ordered to size. Saddles can be "adjusted" slightly by applying pressure to open the saddle to conform to the duct diameter. Underfloor duct should never be smaller than specified for the unit on the table from page 1. Underfloor duct should have a smooth interior to allow tubes to slide in and out of unit.
4. Saddle may be attached to duct with lag bolts in the pre-drilled saddle holes. Saddle can also be attached with metal banding. A silicone caulk is recommended between saddle and duct. With PVC duct, the caulk should always be used.
5. Insert top of unit into saddle to required finished floor height, and tighten set screws which are supplied. If you are installing dual units, it is not necessary to insert the galvanized flexible inserts at this time. This should be done prior to installation of the tubing assemblies. See illustration on Page 3.
6. Backfill with acceptable material per specifications.
7. Pour concrete flush with upper surface of floor unit top. Take caution that no foreign material or concrete is spilled on top or into floor unit when installing.

## OPERATION

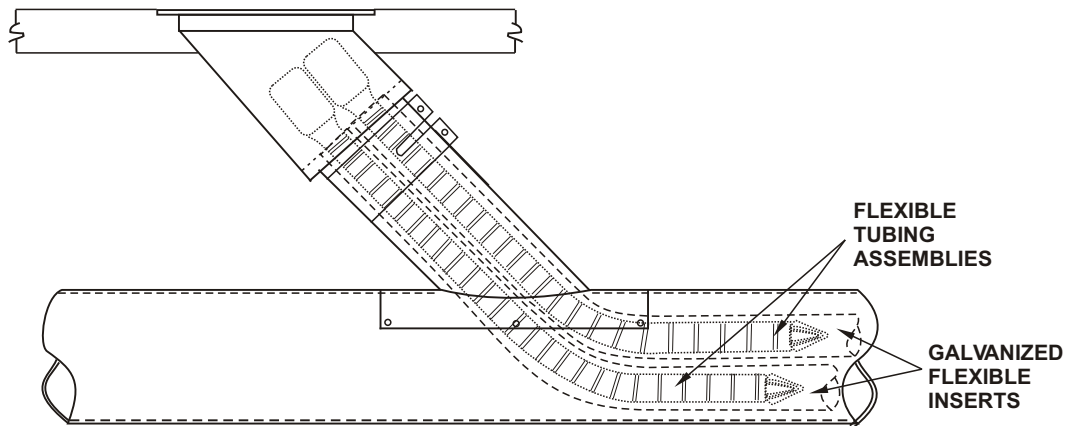
1. Remove tubes from shipping container. Check to make sure there are no flattened sections, and that the adapter and guide ring is not damaged.
2. Insert the tubing assembly, guide ring first, until the tailpipe adapter is inside the unit and the steel door can be closed completely. With dual units, repeat the procedure with the second tube assembly. Note that on dual units, some types of tubing will not feed into the unit properly. Make sure that if dual and single units are in the same facility, the proper tubes are inserted in the proper units.
3. For use, pull tubing out of unit, making sure guide ring is still below the opening in the bottom of the door assembly. Attach the exhaust adapter to the vehicle. The vehicle should NEVER be running when the exhaust adapter is attached. The system fan should be on BEFORE the vehicle is started.
4. After servicing vehicle, turn vehicle off and leave system fan running for a couple of minutes. This will allow the exhaust adapter and tubing assembly to cool with ambient air and to assure all fumes are exhausted.
5. When using the optional RYA dual adapter assembly, plug the nozzle of the RYA into the exhaust adapter from the floor unit. The adapters at the end of the dual assembly can then be attached to dual exhausts of the vehicle. (The vehicle should not be running.)



## MAINTENANCE

1. Door should be opened and receptacle swept out periodically to prevent build up of dirt and grime.
2. Hinges for doors should be oiled once every two months.
3. Adapters should be kept clean and tubing inspected periodically for any cracks or wear. If metal tubes are used, they should be lightly oiled every two months.

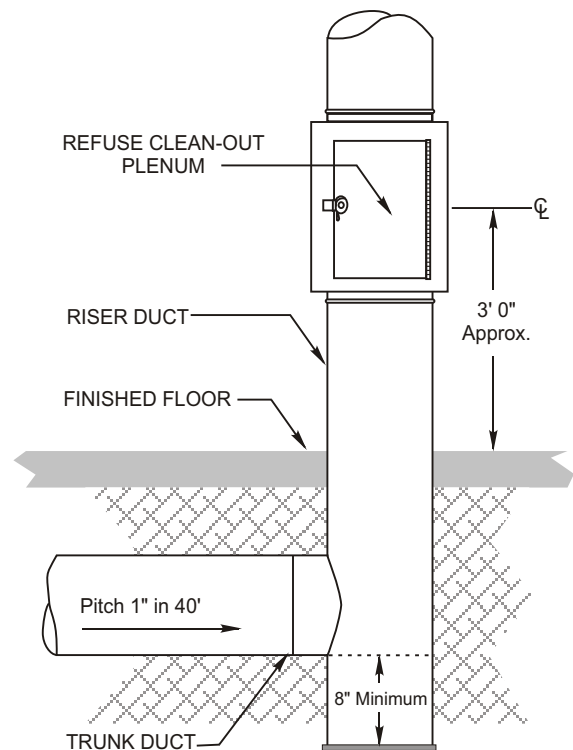
## DUAL UNIT INSTALLATION



When installing dual units, the galvanized flexible insert assembly must be placed in unit prior to installing tube assemblies. Insert assembly will remain in place, and tubes will slide in and out of the insert.

## INSTALLATION OF OPTIONAL REFUSE CLEAN-OUT PLENUM

It is possible for moisture to collect in some underfloor systems, either by condensation or from wash-down of the floor. It is then advisable to use the optional refuse clean-out plenum installed in the riser duct to the fan. Water can be pumped out by access to the plenum door. See Car-Mon submittal 03-U4 for complete details. When installing plenum in duct, make sure safety screen is at top of unit.



## LIMITED WARRANTY

Car-Mon Products, Inc. shall replace or repair at its discretion any products or components sold or manufactured which prove to be defective in workmanship or materials within 1 year from date of shipment.

The foregoing is in lieu of all warranties, expressed or implied, and all other obligations or liabilities on behalf of the company, regarding products it may manufacture or sell. Except as otherwise provided herein, the purchaser accepts the product "as is".

No warranty is made regarding the suitability or compatibility of any Car-Mon product for a particular application or purpose unless specifically stated. The Customer is responsible for the final selection and utilization of Car-Mon products for their use. The Customer assumes all liability for the consequences of performance, application, use and/or misuse by employees of products purchased from Car-Mon Products, Inc.

In no event shall Car-Mon Products, Inc. be liable for consequential or special damages; for transportation, labor, or other charges for adjustment, replacement, installation, incorrect electrical connections, overloading of motor, performance at low voltage, or other alterations which may be performed in connection with such products. The warranty specified herein is waived in the event that the Distributor, Contractor, or Purchaser perform any unauthorized repairs or modifications to the product.

With regard to products or components which are furnished by Car-Mon, Inc. but not manufactured by Car-Mon, Inc., the warranty obligation of Car-Mon shall be limited to and be the same as that of its supplier.