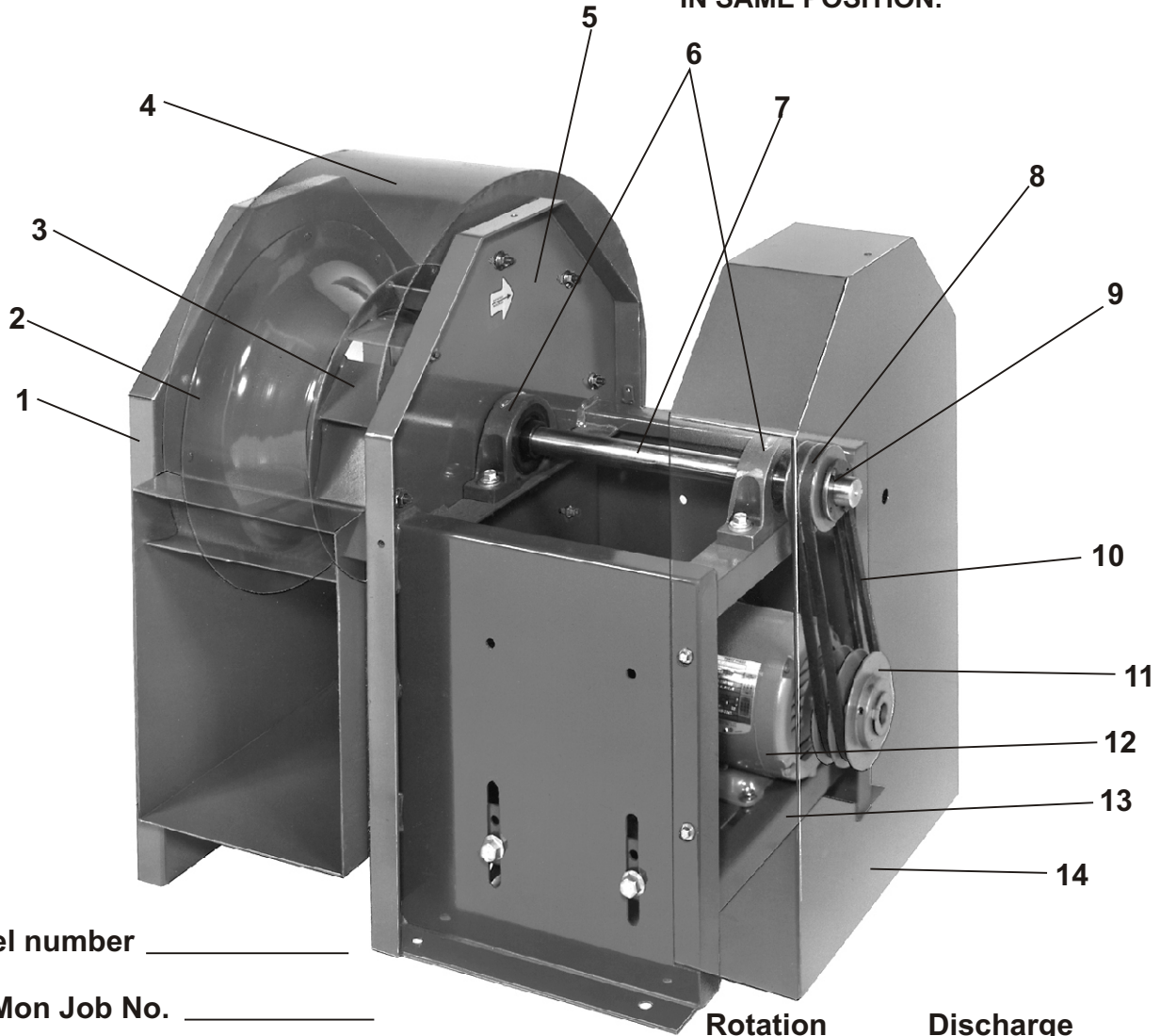


# CAR-MON

Innovators in Air Pollution Systems  
 1225 Davis Road. Elgin, IL 60123  
 Phone (847) 695-9000  
 Fax (847) 695-9078

## CMB Series Fans Parts Guide

**NOTE: PHOTO IS OF CMB SERIES FAN.  
 THE BXi HOUSING WILL DIFFER  
 SLIGHTLY. PARTS WILL STILL BE  
 IN SAME POSITION.**



Model number \_\_\_\_\_

Car-Mon Job No. \_\_\_\_\_

Tag # \_\_\_\_\_

Fan performance set at \_\_\_\_\_

Rotation \_\_\_\_\_ Discharge \_\_\_\_\_

- 1. Inlet support
- 2. Inlet spinning
- 3. Wheel
- 4. Housing
- 5. Fan Frame
- 6. Shaft bearings (See below)
- 7. Shaft
- 8. Shaft sheave\* \_\_\_\_\_

- 9. Split tapered bushing
- 10. Pulley belts\* \_\_\_\_\_
- 11. Motor sheave\* \_\_\_\_\_
- 12. Motor\* \_\_\_\_\_
- 13. Motor base
- 14. Belt Guard

**Weather cover not shown**

### BEARINGS FOR CMB SERIES FANS

All fans use a pillow block "lock collar bearing"  
 For CMB 8 & 10 size use SY 3/4" WFAH  
 For CMB 14,20, 25, 30, & 32 use SY 1-3/16" WFAH  
 For CMB 35-40 use SY 1-7/16" WFAH  
 For fans not listed, consult factory

\*Indicates recommended spare parts