

CAR-MON

PRODUCTS, INCORPORATED Installation – Operation - Maintenance

Car-Mon Pipe Boom

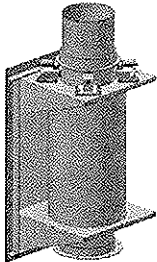
Upon receipt, check all components for hidden damage. If any damage is found, it must be reported to the carrier at once. Review all instructions before assembly.

Pipe booms can be used in different applications including tubing drops, welding exhaust arms, and tubing storage reels. Components may vary slightly, but the basic setup and construction for the boom itself remains the same. The end of the boom will be constructed for the specific end component.

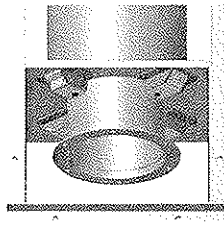
INSTALLATION

Components:

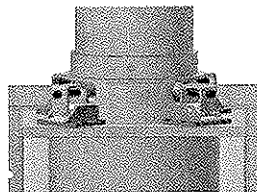
Pipe boom components include boom base & swivel assembly, boom arm, top locking collar, support strut, upper support strut clamp, boom support strut clamp, and hardware.



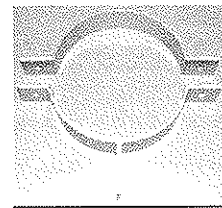
Pipe Boom Base



Bottom Detail

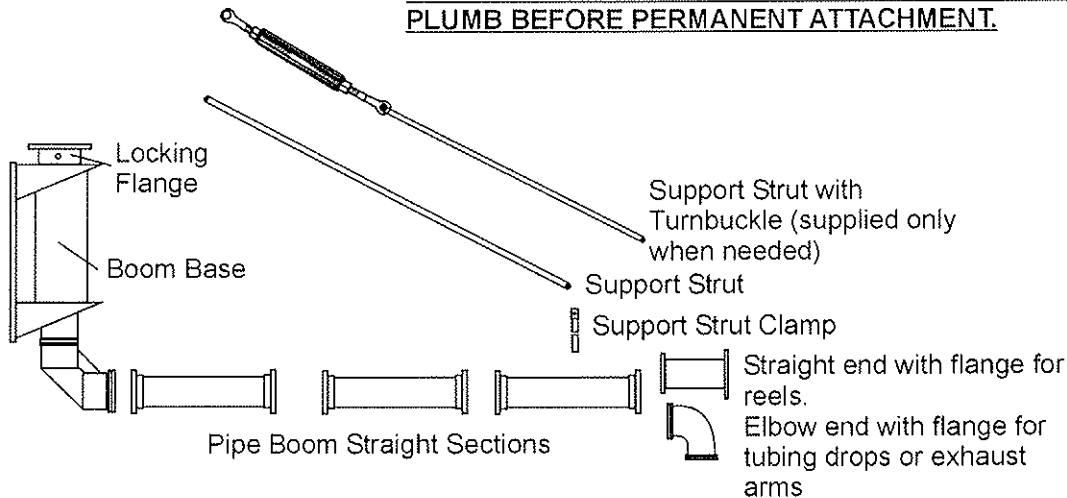


Top Detail with Locking Flange



Support Strut Clamp

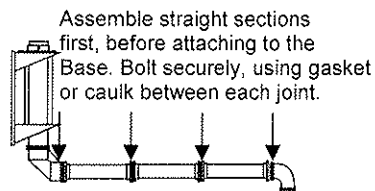
IMPORTANT! MAKE SURE BOOM BASE IS LEVEL AND PLUMB BEFORE PERMANENT ATTACHMENT.



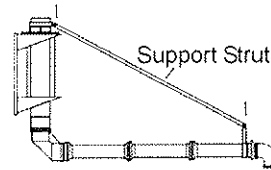
INSTALLATION

1. Weld boom base and swivel assembly to support column. Due to the size and nature of these booms, it is very important the support column can withstand the weight and force of the boom and attachments. If the boom is to be wall mounted, consult with the factory before installation. Make sure mounting height is correct so boom attachments work properly.

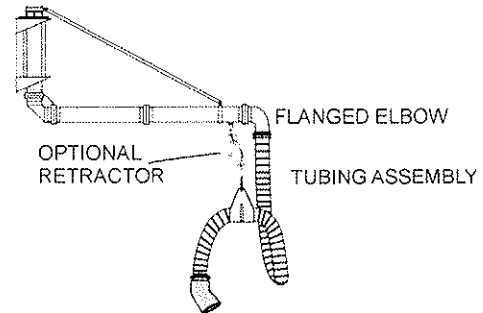
2. The bearings are preset at the factory and may require adjustment when boom base is installed. To do this, Center the Pipe in the Base by sliding the Bearing against the pipe. Bearings are slotted to allow for adjustment. Roller bearings are used to keep the support pipe centered. Over tightening bearings may result in the swivel binding. Make sure there is little pressure applied to center support.
3. Attach straight pipe using the hardware and gaskets provided. Attach elbow to the center support pipe and tighten into place.
4. Install the upper strut bracket clamp above the top locking collar, and attach the boom strut bracket clamp towards end of boom. Do not tighten either clamp at this time.
5. Install the support strut to the top strut bracket clamp and secure with bolt & nut, and repeat with the bottom strut bracket clamp. After installing the support strut, make sure the boom is level, and then tighten both the top and bottom bracket clamps securely.
6. Before securing end attachments to boom, test swing path of boom. Boom should move freely side to side. Boom may be equipped with stops to limit movement. These should be adjusted at this time.
7. Install the tubing assembly by attaching to the flanged elbow, using gasket provided in between the two flanges. Options with tubing may include the spring balancer and tubing sling. A wide variety of tubing, adapters, and optional accessories are available. The below illustration shows only one option.



Step 3 attach Pipe To Elbow



Step 5 Installing Support Strut



INSTALLATION NOTES

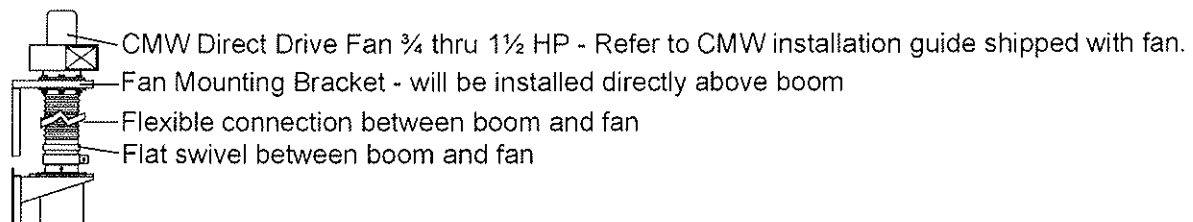
Length and diameters of booms vary. Position of the bottom strut bracket clamp will vary with the length of the booms. Booms intended for tubing storage reels may have two support struts; one for the boom, and one for the tubing storage reel. The second strut will usually have a turnbuckle adjustment.

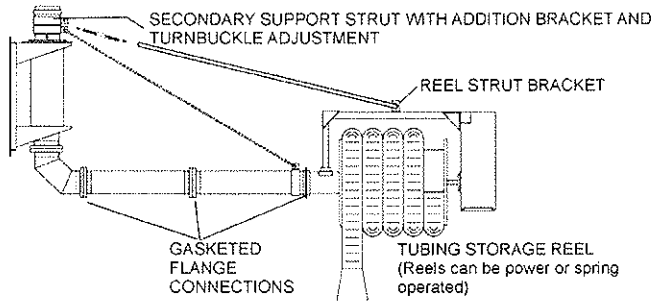
INSTALLATION OF END COMPONENTS

End components can include tubing drops, custom hoods, welding exhaust arms, and tubing storage reels. Booms may vary to accommodate these components. See illustrations for some examples of end components. If a reel or exhaust arm is attached, refer to separate installation and operation guide for each of these components. The booms may be connected to a central fan system via ducting or to a proprietary fan located directly above the boom.

BOOMS WITH DIRECT CONNECTED FAN-SERIES CMW

(ATTACH FAN AFTER PIPE BOOM AND ATTACHMENTS ARE COMPLETELY INSTALLED)





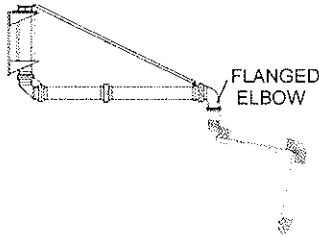
ADDITIONAL INSTRUCTIONS FOR INSTALLATION OF REEL ON BOOM

1. Make sure primary strut is installed, boom is level and all connections are tight. Hoist the tubing storage reel up to the boom, lining up the flanged connection of the reel to the flange of the boom, and making

sure the full weight of the reel is supported by the hoist or some other means. Connect the two flanges with nuts and bolts provided; making sure the gasket is seated correctly.

2. Keeping the weight of the reel supported, attach the long adjustable support bracket with the turnbuckle between the upper strut bracket on the column of the boom and the strut bracket on the tubing storage reel frame. (See photo above) Tighten the turnbuckle until reel is level.
3. Refer to instructions for reel installation and operation. (They should be attached to the reel)

Additional Instructions for Installing Exhaust Arms on Boom



1. Install the arm assembly to the flanged elbow of the boom, using the gasket between the mating flanges. Make sure all four bolts are tight. Check arm assembly to see that arm swivels through the full range.
2. Follow additional instructions enclosed with arm.

MAINTENANCE

The boom swivel is self-lubricating, but periodically clean and inspect for any wear. For arm and reel maintenance, check the manuals that were shipped with that product.

LIMITED WARRANTY

Car-Mon Products, Inc. shall replace or repair, at its discretion, any products or components sold or manufactured which prove to be defective in workmanship or materials within one year from date of shipment.

The foregoing is in lieu of all warranties, expressed or implied, and all other obligations or liabilities on behalf of the company, regarding products it may manufacture or sell. Except as otherwise provided herein, the purchaser accepts the product "as is".

No warranty is made regarding the suitability or compatibility of any Car-Mon product for a particular application or purpose unless specifically stated. The Customer is responsible for the final selection and utilization of Car-Mon products for their use. The Customer assumes all liability for the consequences of performance, application, use and/or misuse by employees of products purchased from Car-Mon Products, Inc.

In no event shall Car-Mon Products, Inc. be liable for consequential or special damages; for transportation, labor, or other charges for adjustment, replacement, installation, incorrect electrical connections, overloading of motor, performance at low voltage, or other alterations which may be performed in connection with such products. The warranty specified herein is waived in the event that the Distributor, Contractor, or Purchaser performs any unauthorized repairs or modifications to the product.

With regard to products or components which are furnished by Car-Mon, Inc. but not manufactured by Car-Mon, Inc., the warranty obligation of Car-Mon shall be limited to and be the same as that of its supplier.