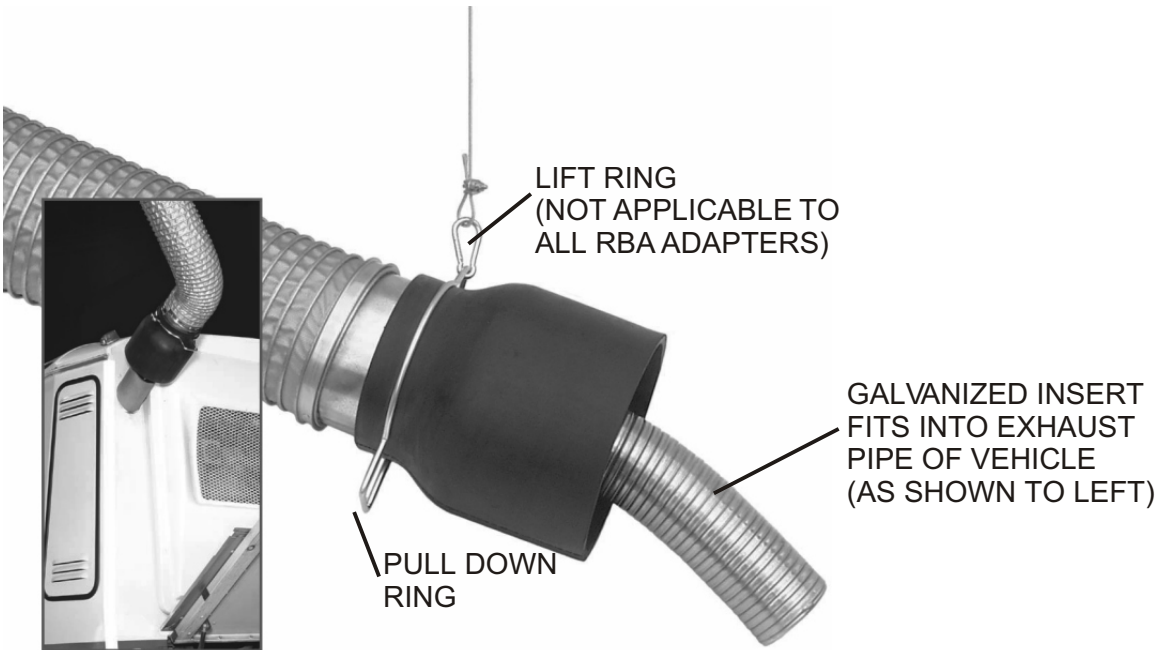


CAR-MON

RBA ADAPTER



Always attach the adapter to the vehicle when the motor is off and the exhaust pipe is cool. After servicing, turn vehicle off for a few minutes before removing adapter. Never touch the insert unless you know that it is cool.