

# CAR-MON INSTALLATION INSTRUCTIONS

## SERIES DP DOOR PORT

Door port is in two pieces. The interior piece is the one with the swing cover, and the flat piece is the back plate which will go on the outside of the door or wall.

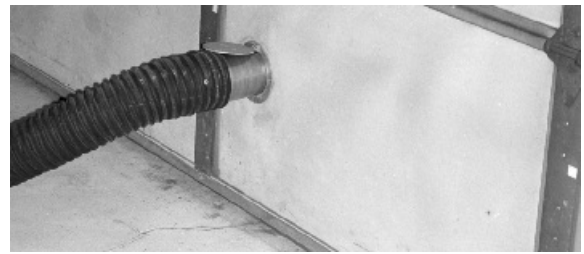
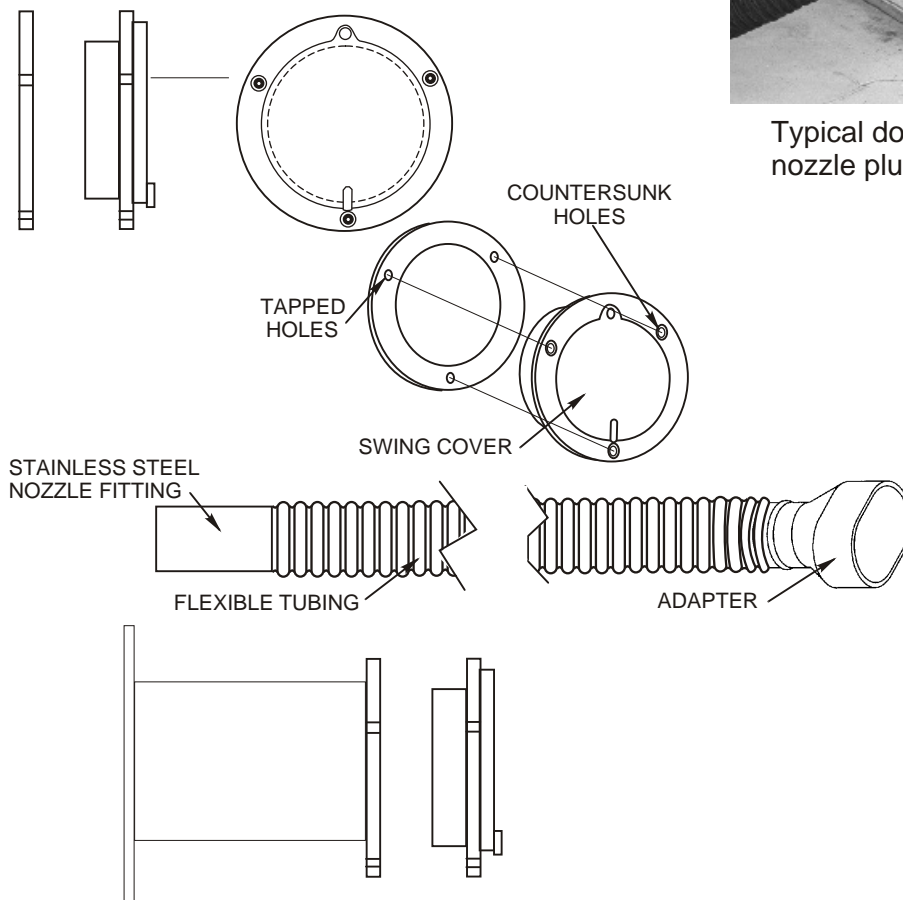
When installing, line the hinge pin at the top. This will allow the unit to be swung open to insert the nozzle fitting and will close by gravity when the nozzle is withdrawn.

For thicker wall, a square back plate and extension sleeve will be provided for the thickness of the wall (Thickness must be specified at time of order)

Screws are provided for attaching the two pieces together.

For use, attach the exhaust adapter while the vehicle is shut off, swing open the hinged door, and insert the nozzle into the door port. Make sure the tubing is in as straight a line as possible, and that it is not kinked. After servicing, shut the vehicle off and wait for exhaust adapter to cool before removing from vehicle.

Attach two pieces together



Typical door port installation showing nozzle plugged into port.

For thickness over 1" an extension sleeve is provided.