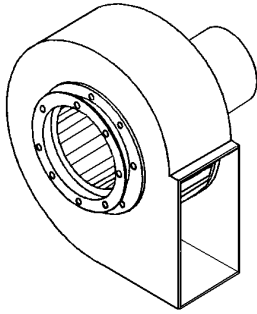
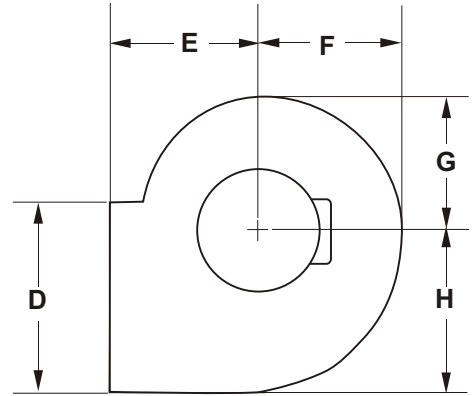
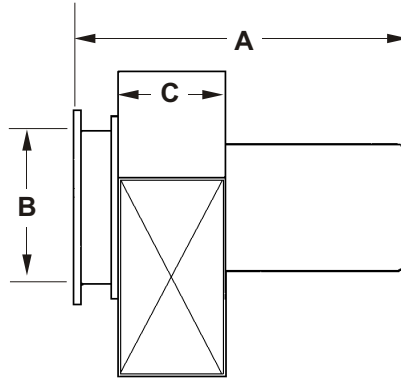


## CMW FANS DIMENSIONS AND SPECIFICATION



Note: Fans illustrated are clockwise,  
bottom horizontal configuration



MODEL	A	B	C	D	E	F	G	H	WEIGHT
CMW-7, 9	20"	8"	6½"	10"	7"	8"	7⅛"	9"	58
CMW-11	22"	8"	6½"	11⅝"	8"	9"	7⅝"	10⅜"	64
CMW-13	22"	9"	8"	12"	8¼"	9¾"	8"	10¾"	66

**SPECIFICATION:** The fan shall be the standard product of a United States exhaust system manufacturer. Fan wheel shall be backward inclined, non-overloading type with single thickness blades and be statically and dynamically balanced. The fan housing shall be fabricated of 12 gauge steel and be of all welded construction. The mating surfaces of the inlet cone and fan housing shall be caulked prior to assembly. The inlet cone shall be assembled to the fan housing using hex head cap screws bolted to threaded inserts welded to the interior of the housing, self tapping screws are not acceptable. A rolled angle mounting flange shall be welded to the inlet ring. All surfaces of the fan shall be painted with a polyester powder coating. The fan motor shall be an industrial grade C-face type, bolted directly to the housing, with horsepower and electrical characteristics as specified. The fan shall be **Series CMW** as manufactured by Car-Mon Products, Elgin, IL 60123

# CAR-MON

## Products, Incorporated

1225 Davis Road, Elgin, Illinois 60123  
Phone (847) 695-9000 Fax (847) 695-9078  
[www.car-mon.com](http://www.car-mon.com)