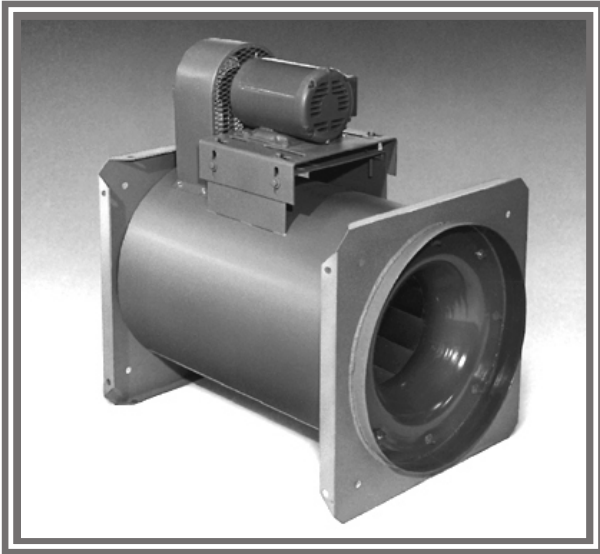


# CM-SL Series Performance Tables



Car-Mon's CM-SL Series centrifugal fans with in-line airflow feature non-overloading, backward inclined wheels. The unique square endbells and structurally sound internal construction allow vertical or horizontal mounting from any side. Variable speed pulleys and belt guards are standard.

## CM-8, -10SL

Wheel Diameter: 10<sup>5/8</sup>"      Outlet Area: 1.17 sq. Feet  
Tip Speed: 2.78 x RPM      Maximum RPM: 3600

CFM	OV	1/4" SP		1/2" SP		3/4" SP		1" SP		1 1/2" SP		2" SP		2 1/2" SP		3" SP		4" SP	
		RPM	BHP	RPM	BHP	RPM	BHP	RPM	BHP	RPM	BHP	RPM	BHP	RPM	BHP	RPM	BHP	RPM	BHP
117	100	906	0.02	1253	0.04	1522	0.07												
234	200	997	0.03	1330	0.06	1591	0.09	1813	0.13	2188	0.22	2506	0.31	2789	0.41	3043	0.53		
351	300	1126	0.04	1429	0.08	1680	0.13	1897	0.17	2264	0.27	2577	0.39	2854	0.51	3106	0.63	3555	0.91
467	400	1297	0.06	1558	0.11	1790	0.16	1994	0.22	2354	0.34	2660	0.47	2933	0.61	3181	0.75		
584	500	1439	0.09	1700	0.15	1922	0.21	2168	0.28	2453	0.41	2754	0.56	3023	0.71	3267	0.88		
701	600	1615	0.13	1845	0.20	2065	0.27	2251	0.34	2576	0.50	2858	0.66	3118	0.83	3361	1.01		
818	700	1800	0.19	2023	0.26	2203	0.33	2394	0.42	2708	0.59	2984	0.77	3229	0.96	3462	1.15		
935	800	1991	0.25	2197	0.34	2376	0.42	2533	0.51	2849	0.70	3116	0.90	3358	1.11	3580	1.32		
1052	900	2184	0.33	2379	0.43	2551	0.53	2701	0.62	2994	0.83	3256	1.05	3491	1.27				
1168	1000	2380	0.43	2565	0.54	2727	0.64	2878	0.75	3130	0.96	3401	1.21						
1285	1100	2579	0.55	2755	0.67	2909	0.79	3052	0.90	3304	1.13	3540	1.38						
1402	1200	2781	0.69	2948	0.82	3095	0.95	3231	1.08	3482	1.33								
1519	1300	2986	0.85	3142	0.99	3284	1.13	3414	1.27										
1636	1400	3193	1.04	3338	1.19	3476	1.34												
1753	1500	3401	1.26	3536	1.41														

## CM-14SL

Wheel Diameter: 12 1/4"      Outlet Area: 1.55 sq. Feet  
Tip Speed: 3.21 x RPM      Maximum RPM: 3580

CFM	OV	1/2" SP		3/4" SP		1" SP		1 1/2" SP		2" SP		3" SP		3 1/2" SP		4" SP		5" SP	
		RPM	BHP	RPM	BHP	RPM	BHP	RPM	BHP	RPM	BHP	RPM	BHP	RPM	BHP	RPM	BHP	RPM	BHP
777	500	1190	0.13	1335	0.18	1479	0.23												
932	600	1318	0.18	1443	0.23	1564	0.29	1803	0.42										
1087	700	1454	0.24	1569	0.30	1674	0.36	1881	0.50	2087	0.66								
1242	800	1594	0.31	1702	0.38	1801	0.45	1984	0.59	2164	0.76	2523	1.13						
1398	900	1740	0.40	1841	0.48	1933	0.56	2104	0.72	2265	0.88	2584	1.27	2744	1.48	2903	1.71		
1553	1000	1888	0.51	1981	0.59	2071	0.68	2232	0.86	2380	1.04	2669	1.43	2813	1.65	2957	1.88	3243	2.38
1708	1100	2038	0.63	2128	0.73	2210	0.83	2365	1.02	2507	1.21	2771	1.62	2903	1.84	3034	2.08	3295	2.58
1864	1200	2191	0.78	2276	0.89	2354	0.99	2502	1.21	2637	1.42	2885	1.84	3007	2.07	3128	2.31	3366	2.83
2019	1300	2347	0.96	2425	1.07	2501	1.19	2641	1.41	2771	1.64	3010	2.10	3121	2.33	3233	2.57		
2174	1400	2504	1.16	2577	1.28	2649	1.40	2781	1.64	2909	1.90	3138	2.38	3246	2.63	3349	2.89		
2330	1500	2662	1.39	2730	1.51	2799	1.64	2928	1.91	3048	2.17	3270	2.70	3374	2.96				
2485	1600	2820	1.65	2886	1.78	2950	1.92	3075	2.20	3188	2.47	3405	3.04	3505	3.32				
2640	1700	2980	1.93	3043	2.08	3103	2.22	3223	2.52	3333	2.82	3543	3.42						
2796	1800	3140	2.26	3201	2.42	3258	2.57	3372	2.88	3481	3.20								
2951	1900	3301	2.62	3359	2.78	3415	2.95	3523	3.27										
3106	2000	3462	3.01	3519	3.19	3572	3.37												

Performance shown is for installation type B—Free inlet Ducted outlet. Performance ratings do not include the effects of appurtenances in the airstream. Power rating (BHP) does not include drive losses.

# CM-20SL

Wheel Diameter: 13 1/2"      Outlet Area: 1.89 sq. Feet  
 Tip Speed: 3.53 x RPM      Maximum RPM: 3248

CFM	OV	1/2" SP		3/4" SP		1" SP		1 1/2" SP		2" SP		3" SP		3 1/2" SP		4" SP		5" SP	
		RPM	BHP	RPM	BHP	RPM	BHP	RPM	BHP	RPM	BHP	RPM	BHP	RPM	BHP	RPM	BHP	RPM	BHP
943	500	1080	0.16	1211	0.22	1342	0.29												
1132	600	1196	0.21	1309	0.28	1419	0.35	1636	0.51										
1320	700	1320	0.29	1424	0.36	1519	0.44	1706	0.61	1894	0.80								
1509	800	1446	0.38	1545	0.46	1634	0.55	1801	0.72	1964	0.92	2289	1.38						
1698	900	1579	0.49	1670	0.58	1754	0.68	1909	0.87	2055	1.07	2345	1.54	2490	1.80	2634	2.08		
1886	1000	1713	0.61	1798	0.72	1879	0.83	2025	1.04	2160	1.26	2422	1.73	2552	2.00	2684	2.28	2943	2.89
2075	1100	1850	0.77	1931	0.89	2006	1.00	2146	1.24	2274	1.47	2515	1.96	2634	2.23	2753	2.53	2990	3.14
2263	1200	1988	0.95	2065	1.08	2136	1.21	2270	1.46	2393	1.72	2618	2.24	2728	2.51	2838	2.80	3054	3.43
2452	1300	2129	1.16	2201	1.30	2270	1.44	2396	1.71	2514	1.99	2731	2.55	2832	2.83	2934	3.12		
2641	1400	2272	1.41	2338	1.55	2404	1.70	2524	1.99	2640	2.30	2847	2.90	2945	3.20	3038	3.51		
2829	1500	2415	1.69	2477	1.84	2540	1.99	2657	2.32	2766	2.64	2967	3.28	3061	3.60				
3018	1600	2559	2.00	2619	2.16	2677	2.33	2790	2.67	2893	3.00	3089	3.70	3180	4.04				
3207	1700	2704	2.35	2761	2.53	2816	2.70	2924	3.06	3025	3.43	3215	4.16						
3395	1800	2849	2.74	2905	2.94	2957	3.12	3060	3.49	3159	3.89								
3584	1900	2995	3.18	3048	3.38	3099	3.58	3197	3.97										
3772	2000	3142	3.66	3193	3.88	3242	4.09												

# CM-25SL

Wheel Diameter: 15"      Outlet Area: 2.33 sq. Feet  
 Tip Speed: 3.93 x RPM      Maximum RPM: 2740

CFM	OV	1/2" SP		3/4" SP		1" SP		1 1/2" SP		2" SP		3" SP		3 1/2" SP		4" SP		5" SP	
		RPM	BHP	RPM	BHP	RPM	BHP	RPM	BHP	RPM	BHP	RPM	BHP	RPM	BHP	RPM	BHP	RPM	BHP
1164	500	926	0.16	1070	0.23	1200	0.31												
1397	600	997	0.20	1126	0.28	1248	0.37	1463	0.56										
1630	700	1085	0.26	1195	0.35	1305	0.44	1509	0.64	1693	0.86								
1863	800	1193	0.35	1276	0.43	1374	0.52	1563	0.74	1738	0.97	2047	1.49						
2096	900	1305	0.45	1372	0.53	1453	0.63	1626	0.86	1792	1.10	2093	1.66	2227	1.95	2353	2.24		
2329	1000	1422	0.58	1482	0.67	1545	0.76	1698	0.99	1852	1.25	2140	1.82	2273	2.14	2399	2.47	2627	3.11
2561	1100	1541	0.72	1596	0.83	1650	0.93	1778	1.15	1920	1.43	2193	2.02	2322	2.34	2443	2.68	2674	3.40
2794	1200	1662	0.90	1712	1.01	1762	1.12	1868	1.35	1995	1.61	2252	2.24	2376	2.57	2495	2.92	2719	3.67
3027	1300	1784	1.10	1831	1.22	1877	1.34	1969	1.57	2078	1.85	2318	2.49	2435	2.83	2550	3.19		
3260	1400	1907	1.34	1951	1.46	1994	1.59	2082	1.85	2171	2.11	2391	2.76	2500	3.13	2610	3.49		
3493	1500	2032	1.60	2072	1.74	2113	1.87	2193	2.15	2273	2.42	2468	3.06	2573	3.44				
3726	1600	2156	1.91	2195	2.05	2233	2.19	2308	2.49	2385	2.79	2553	3.43	2649	3.77				
3959	1700	2281	2.25	2318	2.40	2354	2.55	2425	2.86	2495	3.17	2645	3.82						
4192	1800	2407	2.63	2442	2.79	2476	2.95	2544	3.28	2610	3.61								
4424	1900	2533	3.05	2566	3.22	2599	3.39	2663	3.74	2726	4.09								
4657	2000	2659	3.52	2691	3.70	2723	3.88												

# CM-30SL

Wheel Diameter: 18 1/4"      Outlet Area: 3.45 sq. Feet  
 Tip Speed: 4.78 x RPM      Maximum RPM: 2252

CFM	OV	1/2" SP		3/4" SP		1" SP		1 1/2" SP		2" SP		3" SP		3 1/2" SP		4" SP		5" SP	
		RPM	BHP	RPM	BHP	RPM	BHP	RPM	BHP	RPM	BHP	RPM	BHP	RPM	BHP	RPM	BHP	RPM	BHP
1724	500	761	0.23	879	0.34	986	0.46												
2068	600	820	0.30	926	0.41	1025	0.54	1203	0.82										
2413	700	892	0.39	982	0.51	1072	0.65	1240	0.94	1392	1.28								
2758	800	980	0.52	1049	0.63	1129	0.78	1285	1.09	1429	1.44	1683	2.20						
3102	900	1073	0.67	1128	0.79	1194	0.93	1336	1.27	1473	1.63	1720	2.45	1830	2.88	1934	3.31		
3447	1000	1169	0.85	1218	0.99	1270	1.13	1396	1.47	1522	1.85	1759	2.70	1868	3.17	1972	3.65	2159	4.60
3792	1100	1267	1.07	1312	1.22	1356	1.37	1461	1.71	1578	2.11	1803	2.99	1909	3.47	2008	3.97	2198	5.03
4136	1200	1366	1.33	1407	1.49	1448	1.66	1535	1.99	1640	2.38	1851	3.31	1953	3.81	2051	4.33	2235	5.44
4481	1300	1467	1.63	1505	1.81	1543	1.98	1619	2.33	1708	2.74	1905	3.69	2001	4.19	2095	4.72		
4826	1400	1568	1.98	1604	2.16	1639	2.35	1711	2.74	1784	3.13	1965	4.09	2055	4.63	2145	5.17		
5171	1500	1670	2.37	1703	2.57	1737	2.77	1802	3.18	1868	3.58	2029	4.53	2115	5.10				
5515	1600	1772	2.82	1804	3.03	1835	3.25	1897	3.68	1961	4.13	2098	5.07	2177	5.59				
5860	1700	1875	3.33	1905	3.55	1935	3.78	1993	4.24	2051	4.70	2174	5.65						
6205	1800	1978	3.89	2007	4.13	2035	4.37	2091	4.85	2145	5.34								
6549	1900	2082	4.52	2109	4.77	2136	5.02	2189	5.53	2241	6.05								
6894	2000	2185	5.21	2212	5.48	2238	5.74												

Performance shown is for installation type B—Free inlet Ducted outlet. Performance ratings do not include the effects of appurtenances in the airstream. Power rating (BHP) does not include drive losses.

# CM-32SL

Wheel Diameter: 20" Outlet Area: 4.14 sq. Feet  
 Tip Speed: 5.24 x RPM Maximum RPM: 2017

CFM	OV	½" SP		¾" SP		1" SP		1½" SP		2" SP		3" SP		3½" SP		4" SP		5" SP	
		RPM	BHP	RPM	BHP	RPM	BHP	RPM	BHP	RPM	BHP	RPM	BHP	RPM	BHP	RPM	BHP	RPM	BHP
2070	500	676	0.27	787	0.39	884	0.53												
2484	600	722	0.33	823	0.48	916	0.63	1078	0.95										
2898	700	780	0.42	867	0.58	953	0.74	1110	1.10	1247	1.48								
3312	800	855	0.55	919	0.69	997	0.87	1145	1.26	1279	1.67	1511	2.56						
3726	900	938	0.71	986	0.85	1049	1.03	1185	1.44	1314	1.89	1541	2.84	1642	3.34	1738	3.87		
4140	1000	1025	0.92	1063	1.06	1110	1.22	1231	1.65	1352	2.12	1573	3.13	1673	3.66	1768	4.22	1941	5.39
4554	1100	1115	1.16	1147	1.31	1185	1.47	1283	1.88	1396	2.38	1608	3.46	1706	4.02	1798	4.59	1970	5.81
4968	1200	1208	1.45	1234	1.60	1265	1.77	1342	2.16	1444	2.68	1646	3.81	1741	4.41	1832	5.01	2001	6.27
5382	1300	1300	1.78	1323	1.95	1350	2.12	1414	2.51	1498	3.00	1688	4.19	1779	4.82	1868	5.46		
5796	1400	1394	2.17	1415	2.35	1438	2.53	1492	2.92	1560	3.39	1734	4.61	1821	5.26	1907	5.94		
6210	1500	1488	2.62	1507	2.80	1527	3.00	1574	3.40	1632	3.86	1785	5.06	1867	5.74				
6624	1600	1583	3.13	1600	3.31	1618	3.52	1660	3.94	1710	4.40	1839	5.55	1917	6.27				
7038	1700	1678	3.70	1694	3.90	1710	4.11	1748	4.56	1791	5.02	1900	6.13						
7452	1800	1774	4.35	1788	4.55	1803	4.76	1837	5.24	1876	5.71								
7866	1900	1870	5.08	1882	5.27	1896	5.50	1927	5.98	1962	6.48								
8280	2000	1966	5.88	1977	6.08	1991	6.31												

# CM-35SL

Wheel Diameter: 22¼" Outlet Area: 5.12 sq. Feet  
 Tip Speed: 5.83 x RPM Maximum RPM: 1813

CFM	OV	½" SP		¾" SP		1" SP		1½" SP		2" SP		3" SP		3½" SP		4" SP		5" SP	
		RPM	BHP	RPM	BHP	RPM	BHP	RPM	BHP	RPM	BHP	RPM	BHP	RPM	BHP	RPM	BHP	RPM	BHP
2562	500	608	0.33	707	0.48	794	0.65												
3074	600	649	0.41	740	0.59	823	0.78	969	1.18										
3587	700	701	0.52	780	0.71	857	0.92	998	1.36	1121	1.83								
4099	800	769	0.68	826	0.86	896	1.08	1030	1.56	1150	2.07	1358	3.17						
4611	900	843	0.88	886	1.06	943	1.27	1065	1.79	1181	2.34	1386	3.51	1476	4.13	1562	4.79		
5124	1000	922	1.14	956	1.31	998	1.51	1107	2.04	1216	2.63	1414	3.88	1504	4.53	1589	5.22	1745	6.67
5636	1100	1003	1.43	1031	1.62	1065	1.82	1153	2.33	1254	2.95	1446	4.28	1533	4.97	1616	5.68	1771	7.19
6148	1200	1085	1.79	1109	1.99	1137	2.19	1207	2.67	1298	3.32	1480	4.72	1565	5.45	1647	6.21	1799	7.76
6661	1300	1169	2.20	1189	2.41	1213	2.62	1271	3.11	1346	3.71	1517	5.18	1600	5.97	1679	6.76		
7173	1400	1253	2.69	1271	2.90	1292	3.13	1341	3.62	1402	4.19	1559	5.70	1637	6.51	1714	7.35		
7685	1500	1338	3.24	1354	3.47	1373	3.71	1415	4.21	1467	4.78	1604	6.26	1679	7.11				
8198	1600	1423	3.87	1438	4.10	1454	4.35	1492	4.88	1537	5.45	1653	6.87	1723	7.76				
8710	1700	1509	4.58	1522	4.83	1537	5.08	1571	5.64	1610	6.21	1708	7.58						
9222	1800	1595	5.39	1607	5.63	1620	5.90	1651	6.49	1686	7.07								
9735	1900	1681	6.28	1692	6.52	1705	6.80	1732	7.40	1764	8.02								
10247	2000	1767	7.28	1777	7.52	1789	7.82												

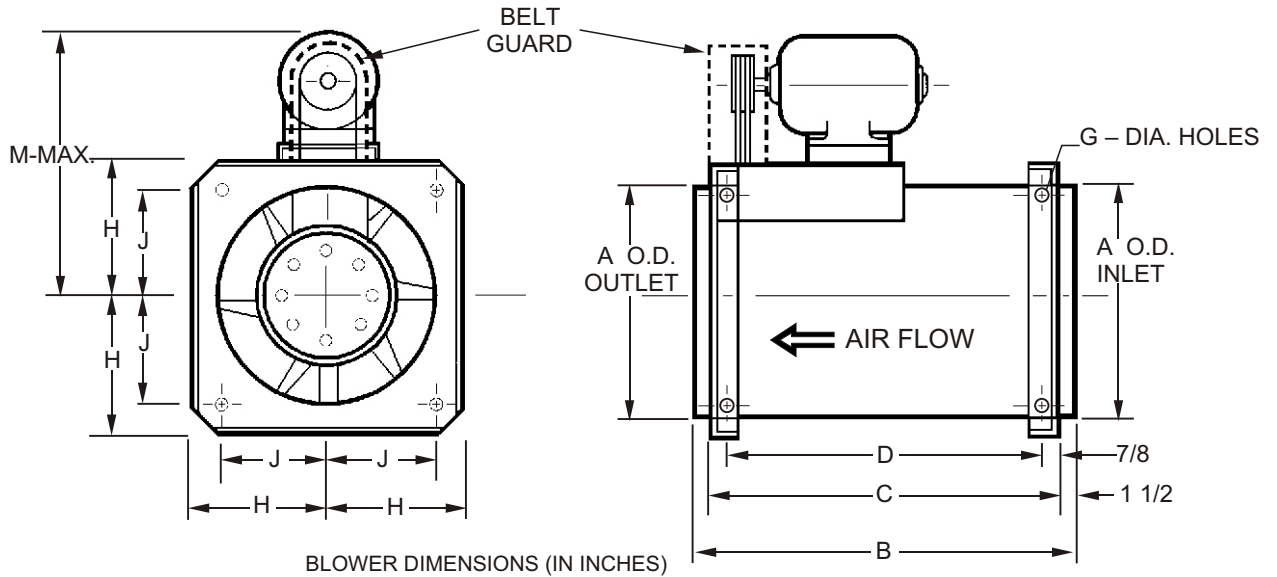
# CM-40SL

Wheel Diameter: 24½" Outlet Area: 6.21 sq. Feet  
 Tip Speed: 6.41 x RPM Maximum RPM: 1647

CFM	OV	½" SP		¾" SP		1" SP		1½" SP		2" SP		3" SP		3½" SP		4" SP		5" SP	
		RPM	BHP	RPM	BHP	RPM	BHP	RPM	BHP	RPM	BHP	RPM	BHP	RPM	BHP	RPM	BHP	RPM	BHP
3106	500	552	0.40	642	0.59	721	0.79												
3727	600	590	0.50	672	0.72	748	0.94	880	1.43										
4349	700	637	0.64	708	0.86	778	1.11	906	1.64	1018	2.22								
4970	800	698	0.83	751	1.04	814	1.31	935	1.89	1044	2.51	1233	3.85						
5591	900	766	1.07	805	1.28	856	1.54	968	2.17	1073	2.83	1258	4.26	1340	5.01	1419	5.81		
6212	1000	837	1.38	868	1.58	906	1.83	1005	2.48	1104	3.19	1284	4.70	1366	5.49	1443	6.33	1585	8.08
6833	1100	910	1.74	936	1.96	967	2.21	1047	2.83	1139	3.58	1313	5.19	1393	6.03	1468	6.89	1608	8.72
7455	1200	986	2.17	1007	2.41	1033	2.65	1096	3.24	1179	4.02	1344	5.72	1422	6.61	1495	7.52	1633	9.41
8076	1300	1061	2.67	1080	2.93	1102	3.18	1154	3.77	1223	4.50	1378	6.28	1453	7.23	1525	8.19		
8697	1400	1138	3.26	1155	3.52	1173	3.80	1218	4.38	1274	5.09	1416	6.92	1487	7.89	1556	8.91		
9318	1500	1215	3.93	1230	4.20	1247	4.50	1285	5.10	1332	5.80	1457	7.60	1524	8.62				
9940	1600	1292	4.69	1306	4.97	1321	5.28	1355	5.91	1396	6.61	1501	8.33	1565	9.41				
10561	1700	1370	5.56	1383	5.85	1396	6.17	1427	6.84	1462	7.53	1551	9.20						
11182	1800	1448	6.53	1459	6.83	1472	7.15	1500	7.86	1531	8.57								
11803	1900	1526	7.62	1536	7.91	1548	8.25	1573	8.97	1602	9.73								
12424	2000	1605	8.83	1614	9.12	1625	9.48												

Performance shown is for installation type B—Free inlet Ducted outlet. Performance ratings do not include the effects of appurtenances in the airstream. Power rating (BHP) does not include drive losses.

# Dimensions



MODEL	A	B	C	D	G	H	J	M	WGT.
CM-8SL	14 $\frac{3}{4}$	24	21	19 $\frac{1}{4}$	$\frac{1}{2}$	9 $\frac{1}{4}$	6 $\frac{1}{4}$	20	125
CM-10SL	14 $\frac{3}{4}$	24	21	19 $\frac{1}{4}$	$\frac{1}{2}$	9 $\frac{1}{4}$	6 $\frac{1}{4}$	20	130
CM-14SL	17 $\frac{7}{8}$	28	25	23 $\frac{1}{4}$	$\frac{1}{2}$	10	7	27	155
CM-20SL	18 $\frac{3}{4}$	30 $\frac{1}{4}$	27 $\frac{1}{4}$	25 $\frac{1}{2}$	$\frac{1}{2}$	11 $\frac{1}{8}$	8	27 $\frac{7}{8}$	185
CM-25SL	20 $\frac{3}{4}$	33 $\frac{1}{4}$	30 $\frac{1}{4}$	28 $\frac{1}{2}$	$\frac{5}{8}$	12 $\frac{1}{4}$	9 $\frac{1}{4}$	28 $\frac{7}{8}$	260
CM-30SL	25 $\frac{1}{4}$	39 $\frac{1}{4}$	36 $\frac{1}{4}$	34 $\frac{1}{2}$	$\frac{5}{8}$	15	12	33 $\frac{3}{8}$	325
CM-32SL	27 $\frac{1}{4}$	42 $\frac{3}{8}$	39 $\frac{3}{8}$	37 $\frac{5}{8}$	$\frac{5}{8}$	16 $\frac{1}{2}$	13 $\frac{1}{2}$	34 $\frac{7}{8}$	390
CM-35SL	30 $\frac{7}{8}$	48	45	43 $\frac{1}{4}$	$\frac{3}{4}$	18 $\frac{1}{4}$	15	36 $\frac{3}{8}$	490
CM-40SL	34	52 $\frac{3}{4}$	49 $\frac{3}{4}$	48	$\frac{3}{4}$	20 $\frac{1}{4}$	17	45 $\frac{3}{4}$	625

## AMCA Licensed

Car-Mon Products, Inc. Certifies that the centrifugal fans shown herein are licensed to bear the AMCA seal. The ratings shown are based on tests and procedures performed in accordance with AMCA publication 210 and comply with the requirements of the AMCA certified ratings program.



## Optional Equipment

- Vibration pads
- Vibration rails
- Vibration rail suspension platforms
- Vibration rail wall platforms
- Weather covers
- Backdraft dampers
- Explosion-resistant motors
- Access panels
- Housing drain connections
- Inlet transition ducts
- Discharge transition ducts
- Canvas connections
- Disconnect switches
- Aluminum wheels



Car-Mon products are American made, using American Components.

# CAR-MON

Products, Incorporated

1225 Davis Road, Elgin, Illinois 60123  
 Phone (847) 695-9000 Fax (847) 695-9078  
[www.car-mon.com](http://www.car-mon.com)

Publication F2-97 0800

Represented by: